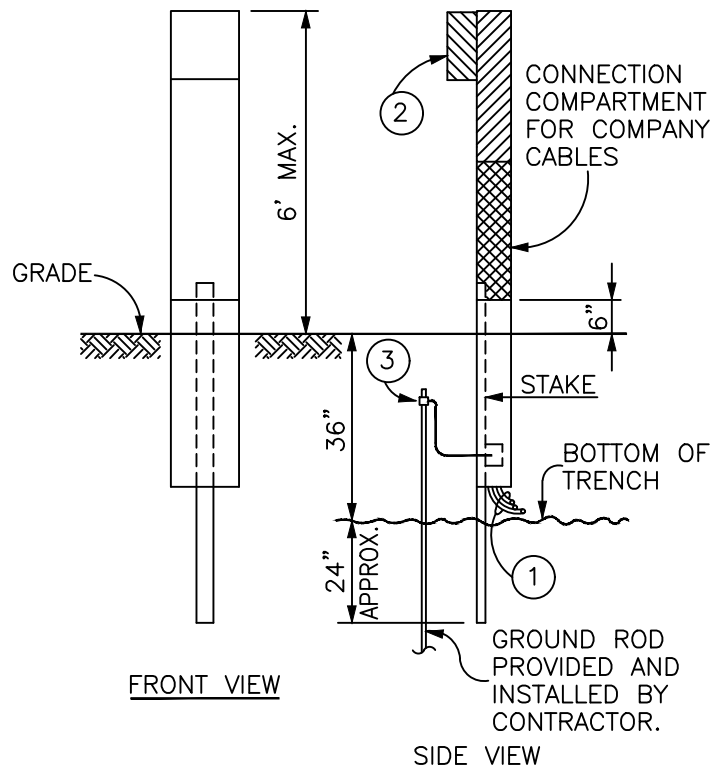


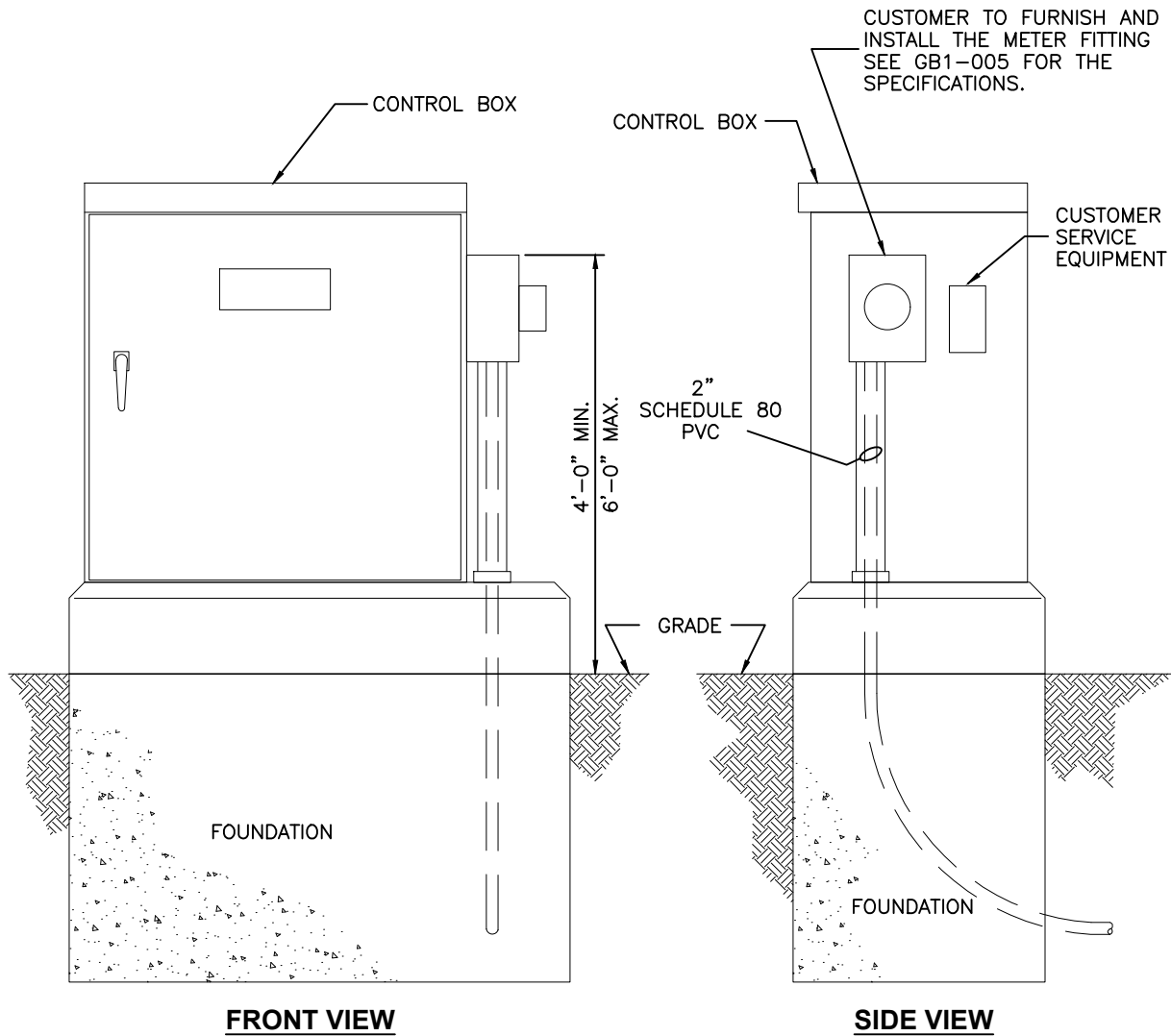
DANGER: DO NOT DRILL OR
TAP HOLES IN
PEDESTAL.



NOTES:

1. COMPANY SERVICE CABLE.
2. COMPARTMENT FOR CUSTOMER'S SERVICE EQUIPMENT WITH SERVICE SIZED FOR THE MAXIMUM LOAD.
3. THE CONTRACTOR SHALL GROUND THE SERVICE FACILITIES. THE CONTRACTOR SHALL DRIVE THE GROUND ROD(S) ON SERVICE SIDE OF PEDESTAL TO AVOID COMPANY CABLES. THE COMPANY WILL CONNECT THE GROUNDING ELECTRODE CONDUCTOR TO THE NEUTRAL AND EQUIPMENT GROUND IN CONNECTION COMPARTMENT.
4. THE PEDESTAL TO BE SUPPLIED BY CUSTOMER.

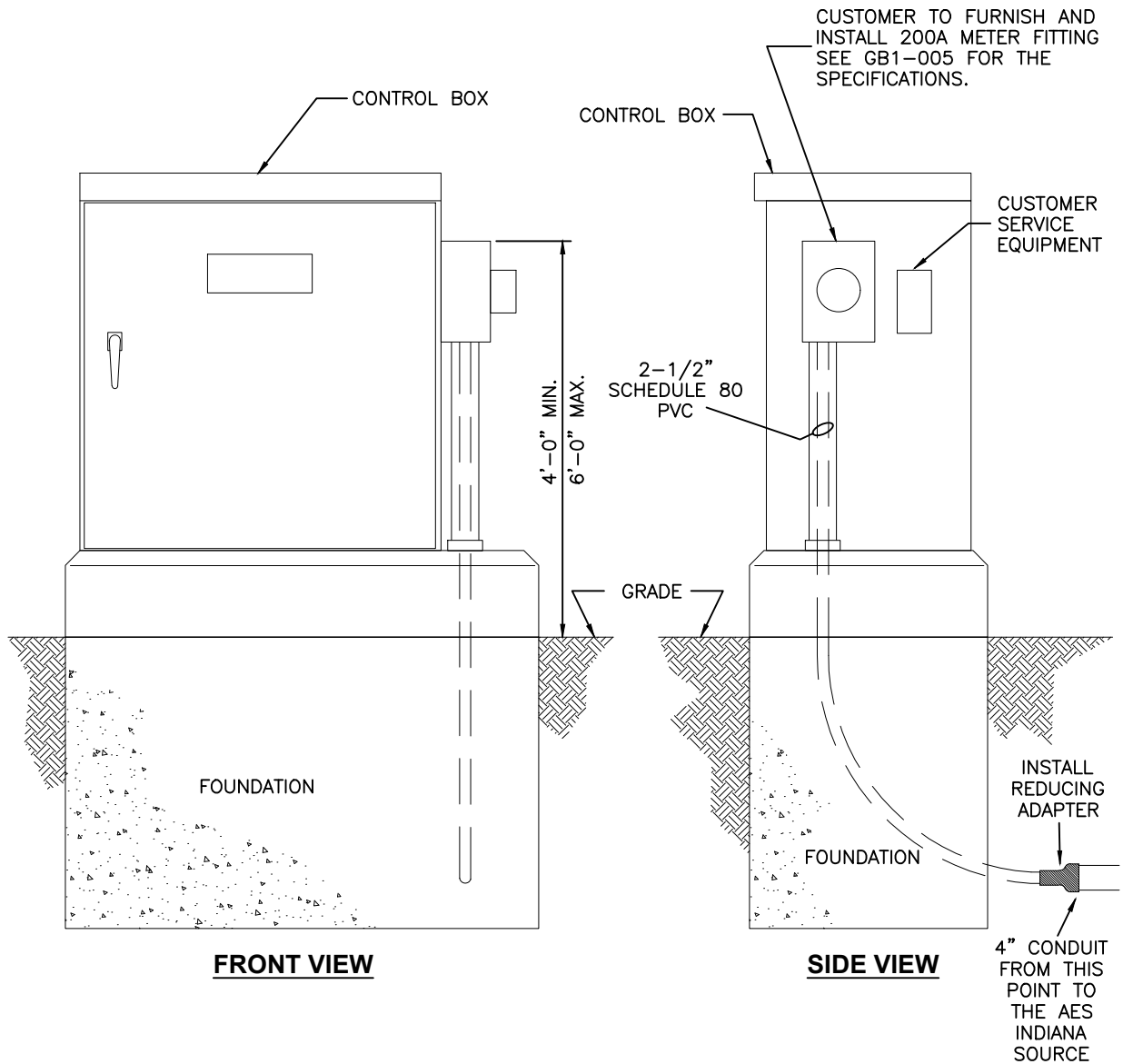
**NON-METERED
1 PHASE SERVICE INSTALLATION
120/240 V, 1 PHASE, 3 WIRE
225 A MAXIMUM SERVICE
120/208 V, 1 PHASE, 3 WIRE
125 A MAXIMUM SERVICE**



NOTES:

1. ALL EQUIPMENT EXCEPT THE SERVICE CABLE SHALL BE PROVIDED BY THE CUSTOMER.
2. ALL EQUIPMENT EXCEPT THE SERVICE CABLE SHALL BE INSTALLED BY THE CUSTOMER.
- ▶ 3. CONDUIT IS TO BE EXTENDED TO THE AES INDIANA SOURCE WITH NO MORE THAN 360° OF BENDS.
 - * 2" CONDUIT MAXIMUM LENGTH = 200'
 - * PULLSTRING TO BE INSTALLED BY CUSTOMER.
- ▶ 4. SERVICE CABLE WILL BE #6AL, 3/C.
- ▶ 5. DO NOT USE THE CENTER POSITION FOR AES INDIANA CABLE.

SINGLE METER INSTALLATION
 ▶ 3 WIRE, 120/240 V, 60 A ONLY
 ▶ 3 WIRE, 120/208 V, 60 A ONLY



NOTES:

1. ALL EQUIPMENT EXCEPT THE SERVICE CABLE SHALL BE PROVIDED BY THE CUSTOMER.
2. ALL EQUIPMENT EXCEPT THE SERVICE CABLE SHALL BE INSTALLED BY THE CUSTOMER.
3. CONDUIT IS TO BE EXTENDED TO THE AES INDIANA SOURCE WITH NO MORE THAN 360° OF BENDS.
 - * 4" CONDUIT MAXIMUM LENGTH = 200'
 - * PULLSTRING TO BE INSTALLED BY CUSTOMER.
4. SERVICE CABLE WILL NORMALLY BE #2AL,3 /C.
5. DO NOT USE THE CENTER POSITION FOR AES INDIANA CABLE.

SINGLE METER INSTALLATION
3 WIRE, 120/240 V, 100 A MAX.
3 WIRE, 120/208 V, 100 A MAX.

2" RIGID OR LIQUID TIGHT PVC CONDUIT MIN.

GRADE

FOUNDATION

SIDE VIEW

CONTROL BOX

CUSTOMER TO FURNISH AND INSTALL THE METER FITTING SEE GB1-005 FOR THE SPECIFICATIONS.

CUSTOMER SERVICE EQUIPMENT

5'-0"

4'-6"

GRADE

FOUNDATION

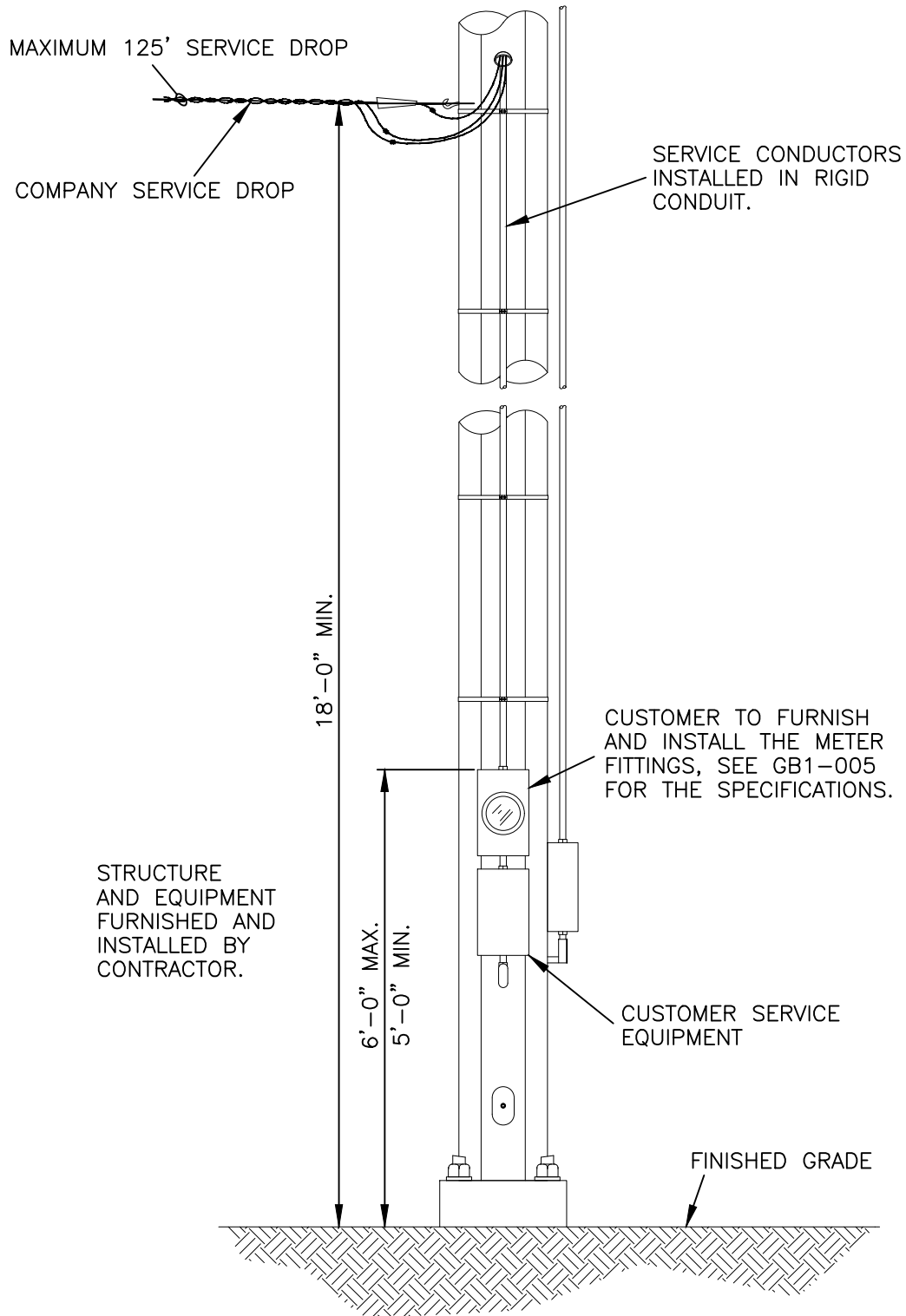
FRONT VIEW

NOTES:

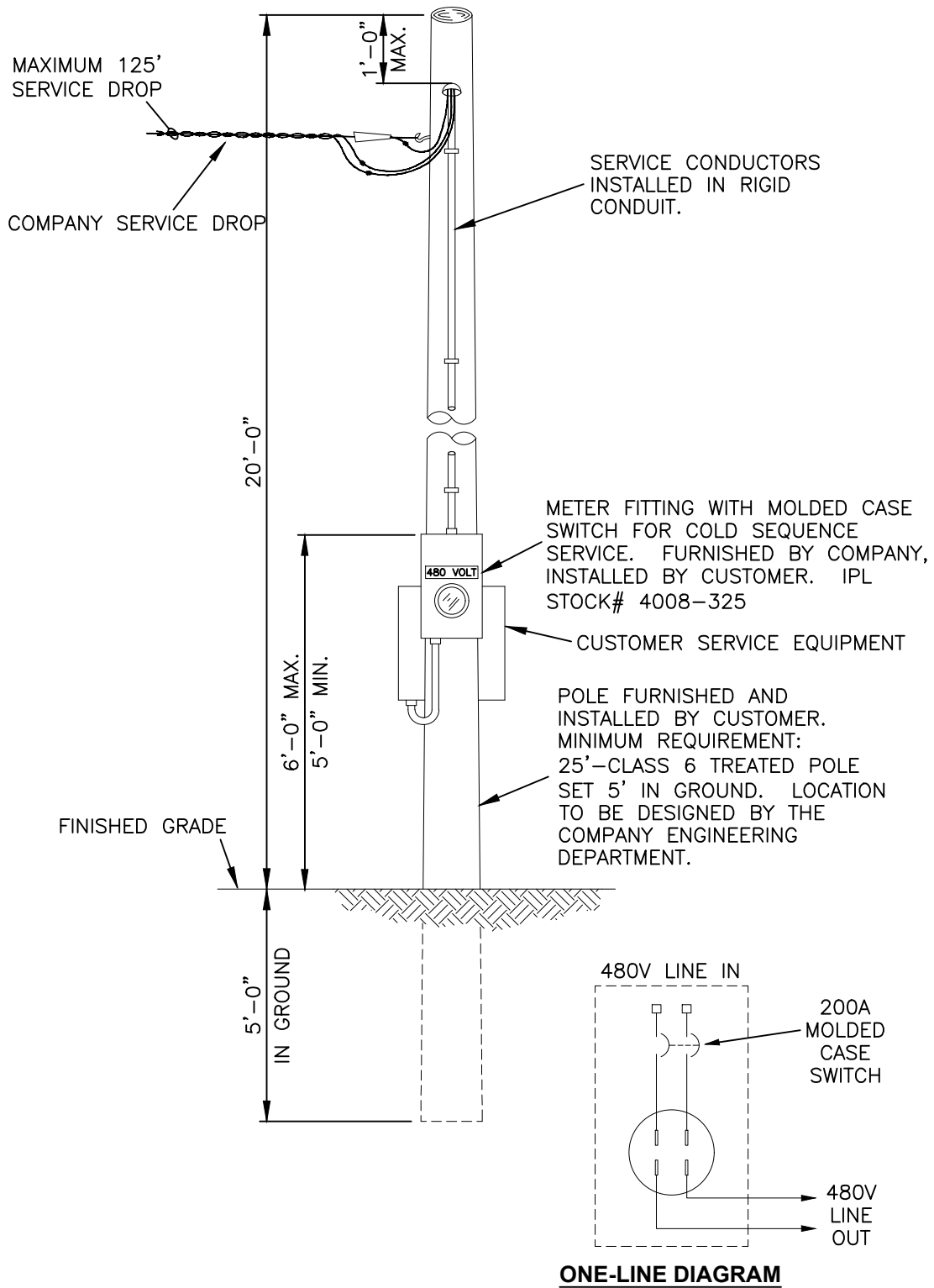
1. ALL EQUIPMENT EXCEPT THE SERVICE CABLE SHALL BE PROVIDED BY THE CUSTOMER.
2. ALL EQUIPMENT EXCEPT THE SERVICE CABLE SHALL BE INSTALLED BY THE CUSTOMER.
- ▶ 3. CONDUIT IS TO BE EXTENDED TO THE AES INDIANA SOURCE WITH NO MORE THAN 360° OF BENDS.
 - * 2" CONDUIT MAXIMUM LENGTH = 200'
 - * PULLSTRING TO BE INSTALLED BY CUSTOMER.
- ▶ 4. SERVICE CABLE WILL BE #6AL, 3/C.

SINGLE METER INSTALLATION

- ▶ 3 WIRE, 120/240 V, 60 A ONLY
- ▶ 3 WIRE, 120/208 V, 60 A ONLY



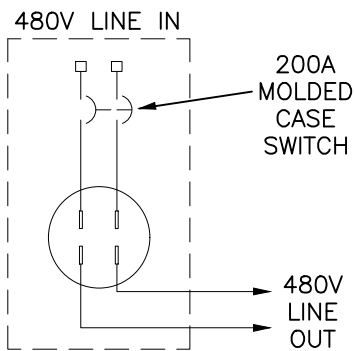
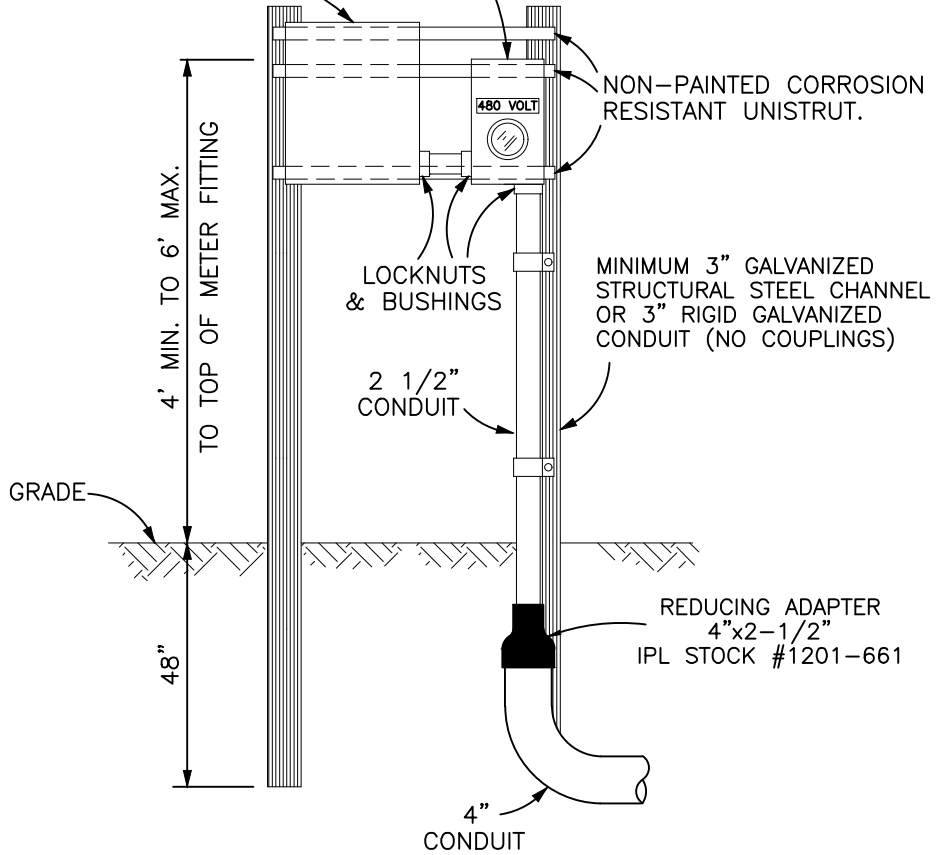
**PERMANENT TRAFFIC SIGNAL
METER INSTALLATION
FOR ONE SERVICE
120/240 VOLT, 1 PHASE, 3 WIRE
200 A MAXIMUM SERVICE**



**PERMANENT POLE METER INSTALLATION
200 A, 240/480 V, 1 PHASE, 3 WIRE**

METER FITTING WITH MOLDED CASE SWITCH FOR COLD SEQUENCE SERVICE FURNISHED BY COMPANY, INSTALLED BY CONTRACTOR.

CUSTOMER SERVICE EQUIPMENT



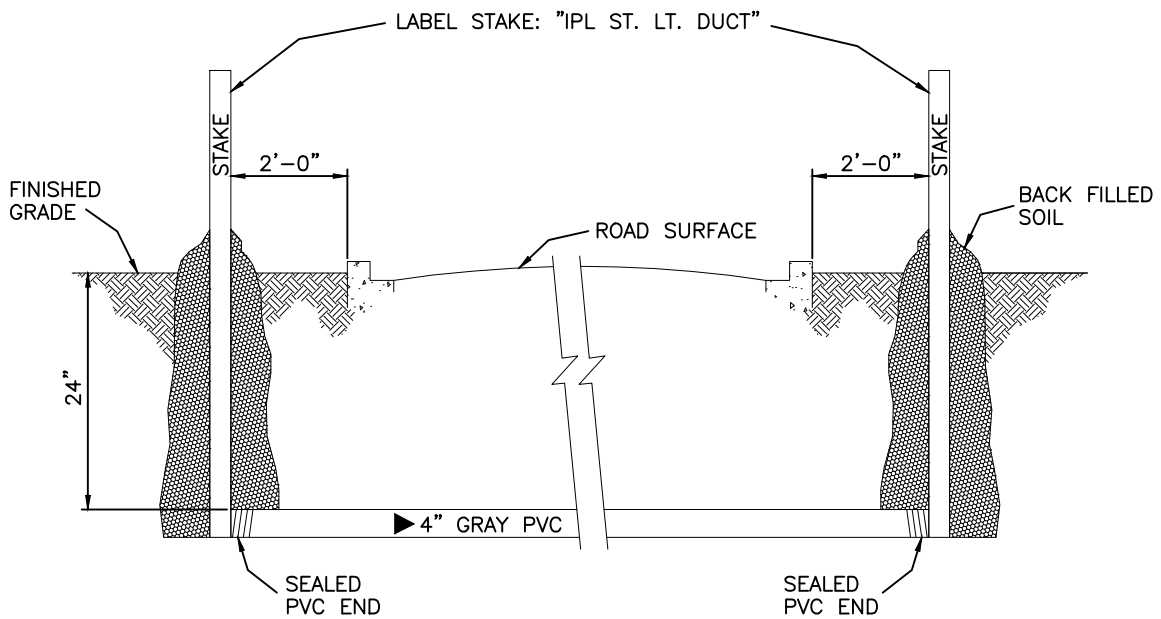
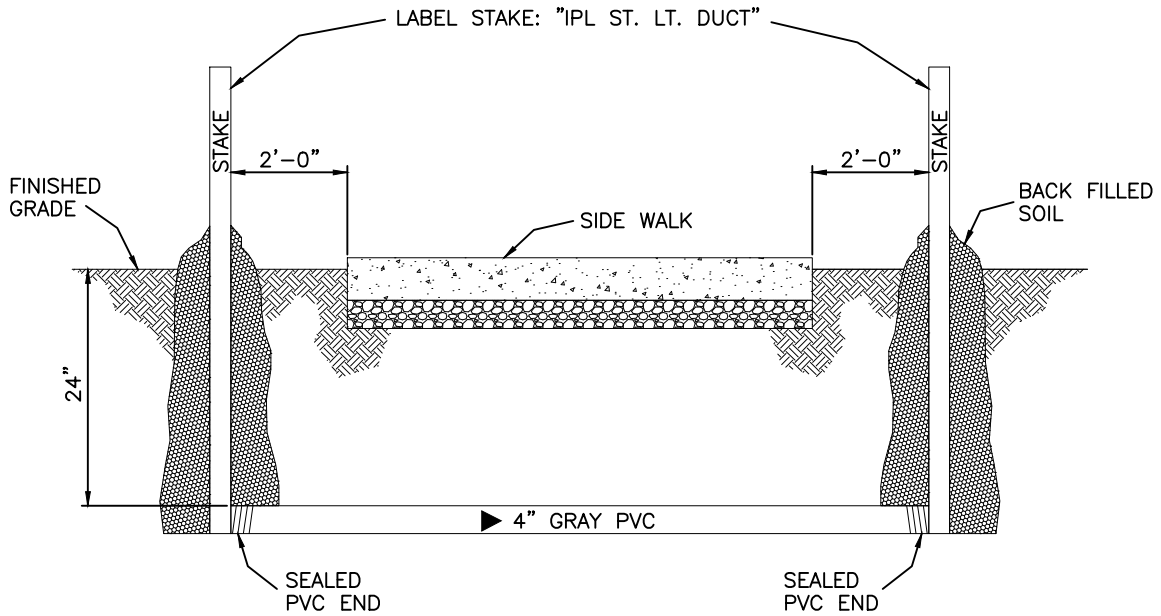
ONE-LINE DIAGRAM

NOTES:

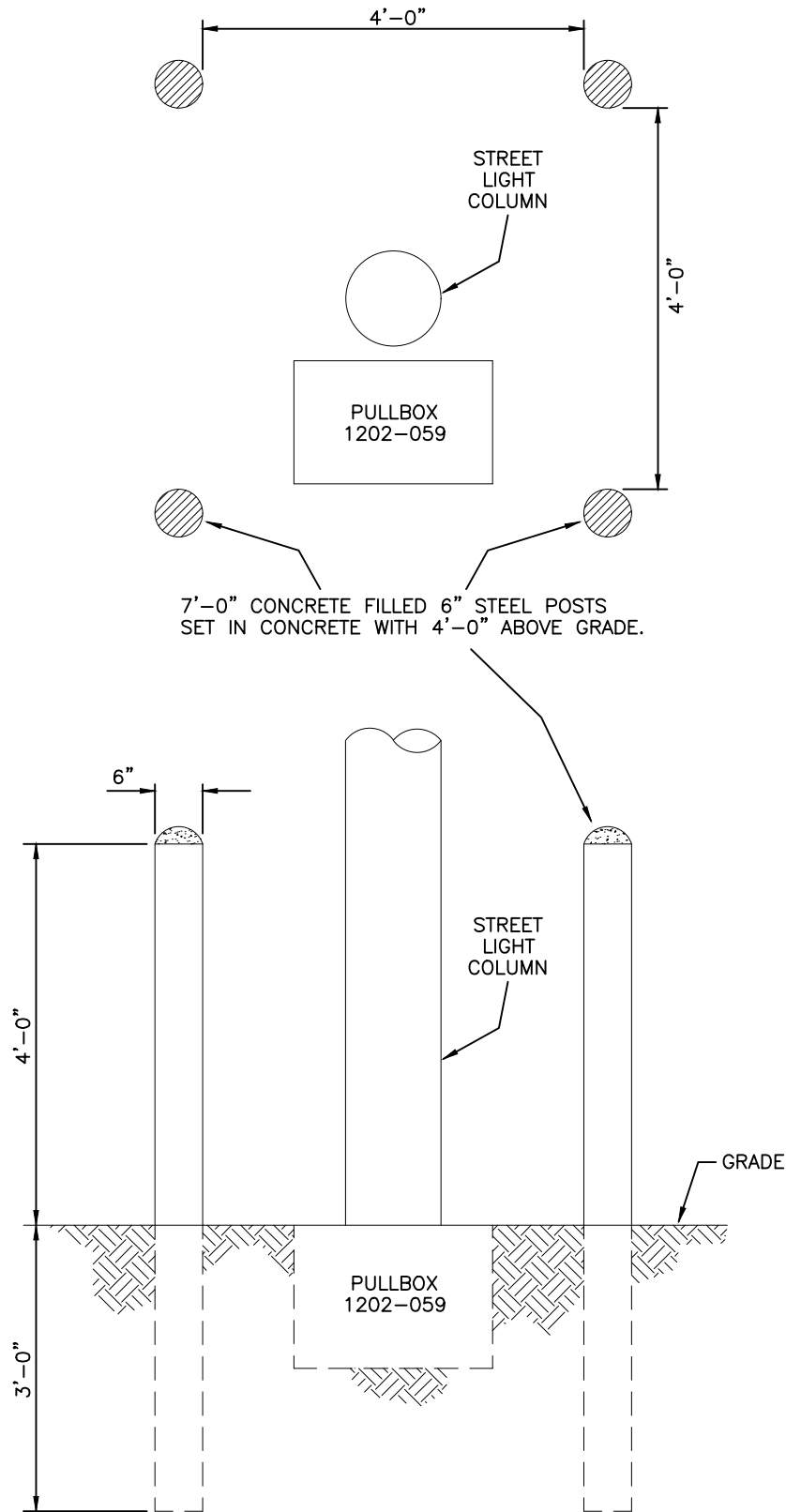
1. THE CONTRACTOR SHALL GROUND THE SERVICE FACILITIES. THE CONTRACTOR SHALL DRIVE THE GROUND ROD(S) TO AVOID COMPANY CABLES.

**FREE STANDING - UNDERGROUND INSTALLATION
FOR 200 A, 240/480 VOLT, 1 PHASE, 3 WIRE**

THE CONDUITS SHALL BE 4 INCH GRAY PVC BURIED AT A MINIMUM OF 24 INCHES, UNLESS A CONFLICT WITH OTHER UNDERGROUND FACILITIES FORCE IT TO A MINIMUM OF 18 INCHES. SEAL THE ENDS OF THE CONDUIT TO KEEP DIRT OUT. THE CONDUIT SHALL EXTEND 1 FOOT BEYOND THE EDGE OF THE OBSTRUCTING SURFACE AT EACH END. ALSO, MARK EACH END OF THE CONDUITS WITH A STAKE LABELED "IPL ST. LT. DUCT". (SEE EXAMPLES PICTURED BELOW)



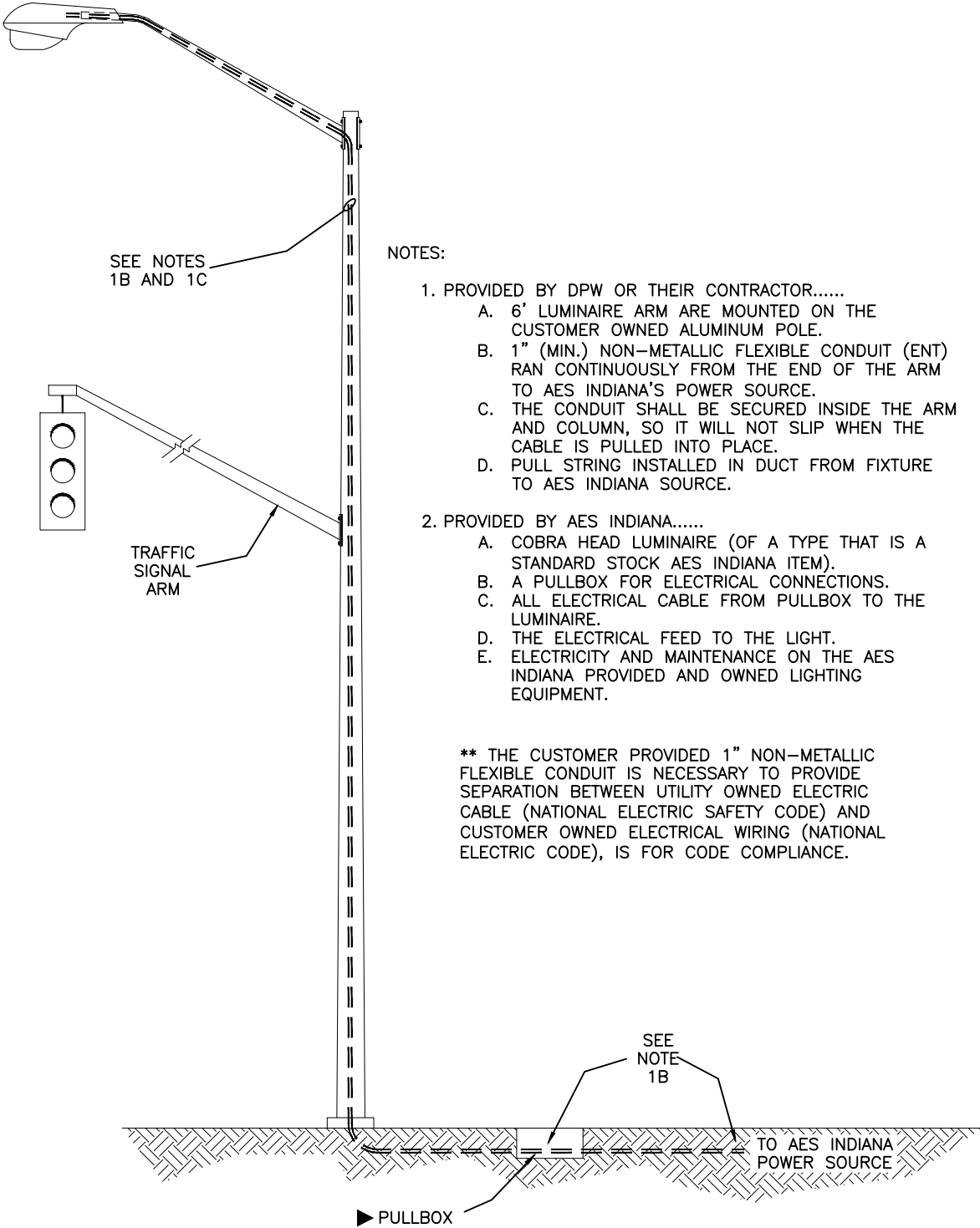
STREET LIGHT DUCTS INSTALLED FOR IPL USE



NOTE:

CUSTOMER SHALL FURNISH, INSTALL AND MAINTAIN PROTECTIVE POSTS WHERE COLUMN IS EXPOSED TO VEHICULAR DAMAGE.

PROTECTIVE POSTS FOR LIGHT COLUMNS



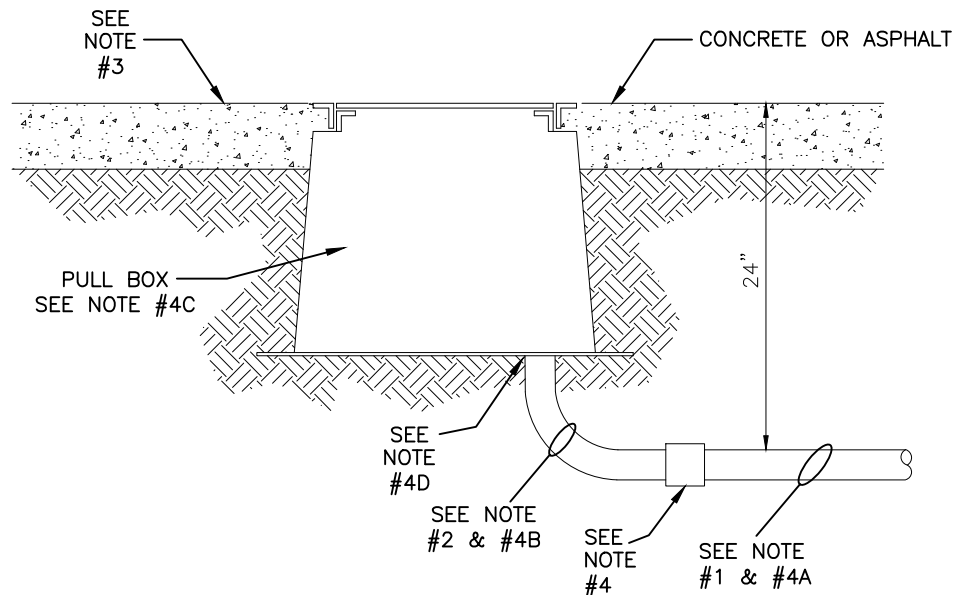
NOTES:

1. PROVIDED BY DPW OR THEIR CONTRACTOR.....
 - A. 6' LUMINAIRE ARM ARE MOUNTED ON THE CUSTOMER OWNED ALUMINUM POLE.
 - B. 1" (MIN.) NON-METALLIC FLEXIBLE CONDUIT (ENT) RAN CONTINUOUSLY FROM THE END OF THE ARM TO AES INDIANA'S POWER SOURCE.
 - C. THE CONDUIT SHALL BE SECURED INSIDE THE ARM AND COLUMN, SO IT WILL NOT SLIP WHEN THE CABLE IS PULLED INTO PLACE.
 - D. PULL STRING INSTALLED IN DUCT FROM FIXTURE TO AES INDIANA SOURCE.

2. PROVIDED BY AES INDIANA.....
 - A. COBRA HEAD LUMINAIRE (OF A TYPE THAT IS A STANDARD STOCK AES INDIANA ITEM).
 - B. A PULLBOX FOR ELECTRICAL CONNECTIONS.
 - C. ALL ELECTRICAL CABLE FROM PULLBOX TO THE LUMINAIRE.
 - D. THE ELECTRICAL FEED TO THE LIGHT.
 - E. ELECTRICITY AND MAINTENANCE ON THE AES INDIANA PROVIDED AND OWNED LIGHTING EQUIPMENT.

** THE CUSTOMER PROVIDED 1" NON-METALLIC FLEXIBLE CONDUIT IS NECESSARY TO PROVIDE SEPARATION BETWEEN UTILITY OWNED ELECTRIC CABLE (NATIONAL ELECTRIC SAFETY CODE) AND CUSTOMER OWNED ELECTRICAL WIRING (NATIONAL ELECTRIC CODE), IS FOR CODE COMPLIANCE.

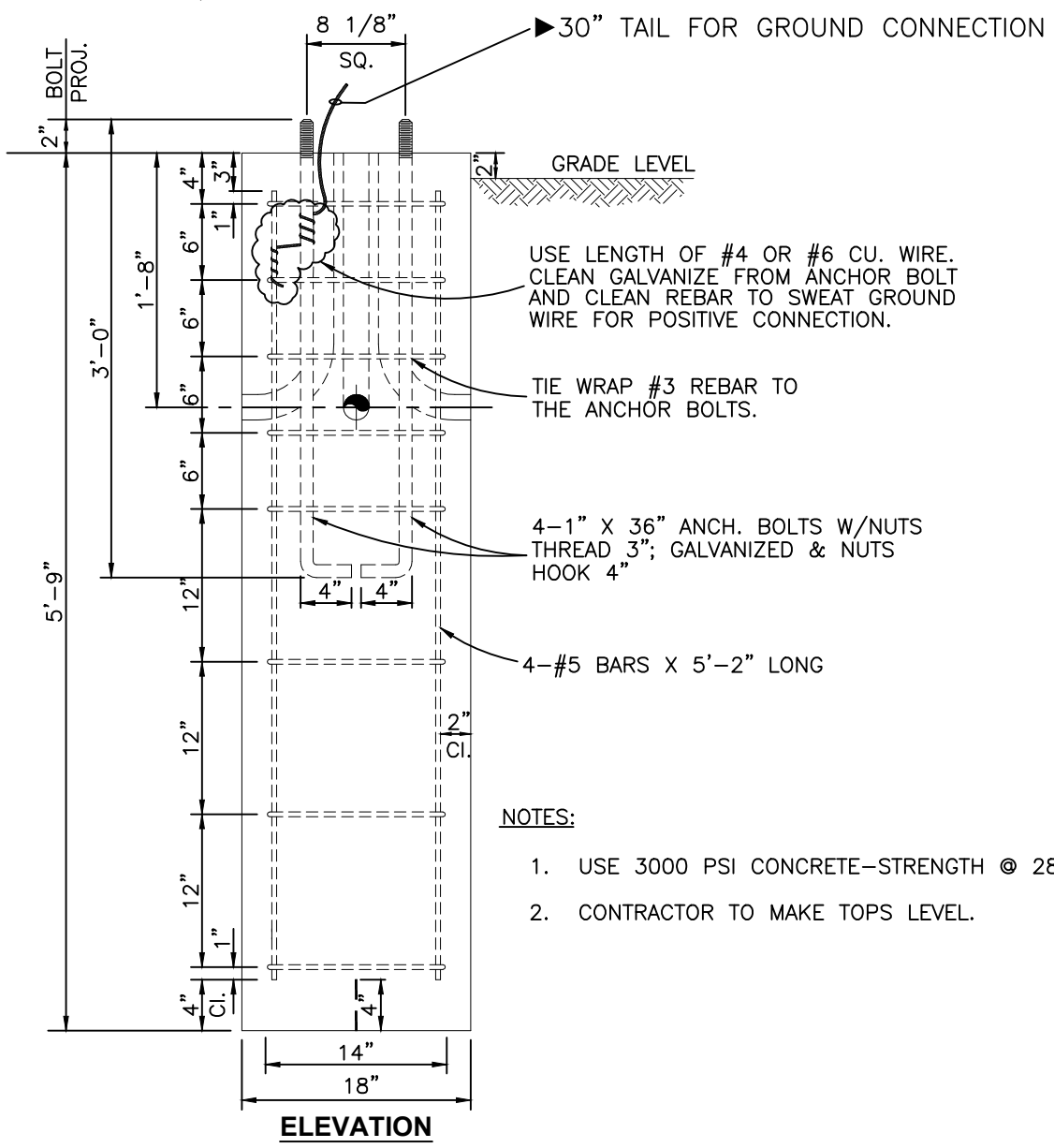
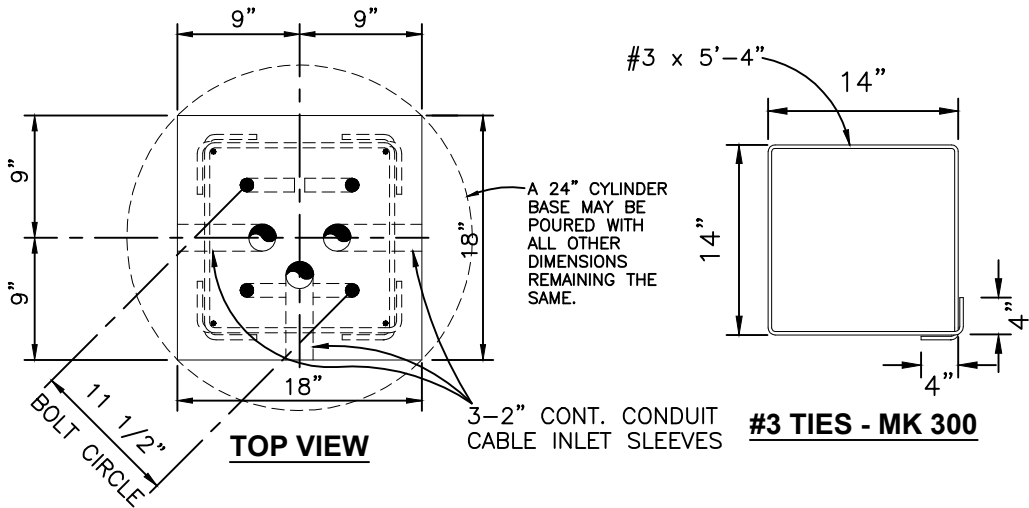
DPW TRAFFIC SIGNAL COMBINATION POLES



NOTES:

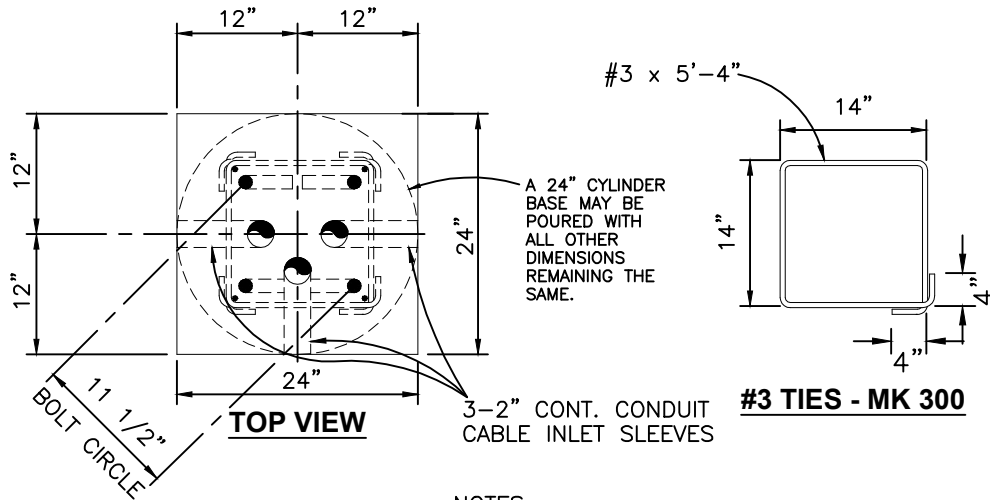
1. ANY DIRECT BURIED CABLE IS TO BE AT A MINIMUM DEPTH OF 24" UNLESS A CONFLICT WITH OTHER UNDERGROUND FACILITIES FORCES IT TO A MINIMUM OF 18".
2. MAXIMUM OF 4 360° TOTAL BENDS IN THE CONDUIT RUN.
3. IN APPLICATIONS WHERE THE PULL BOX WILL BE SET IN SOIL, THE TOP OF THE PULL BOX SHALL BE AT FINISHED GRADE.
4. ALL JOINTS SHALL BE GLUED IN PLACE WITH A PVC RATED ADHESIVE.
 - A. 2" PVC, PROVIDED AND INSTALLED BY THE CUSTOMER.
 - B. ONLY 18" OR 24" ELBOWS SHALL BE USED.
 - ▶ C. PULL BOX OWNED AND INSTALLED BY AES INDIANA.
 - D. THE END OF THE CONDUIT SHALL BE SEALED TO KEEP DIRT OUT.

**INSTALLATION OF CUSTOMER OWNED CONDUIT
▶ INTO AN AES INDIANA PULLBOX**



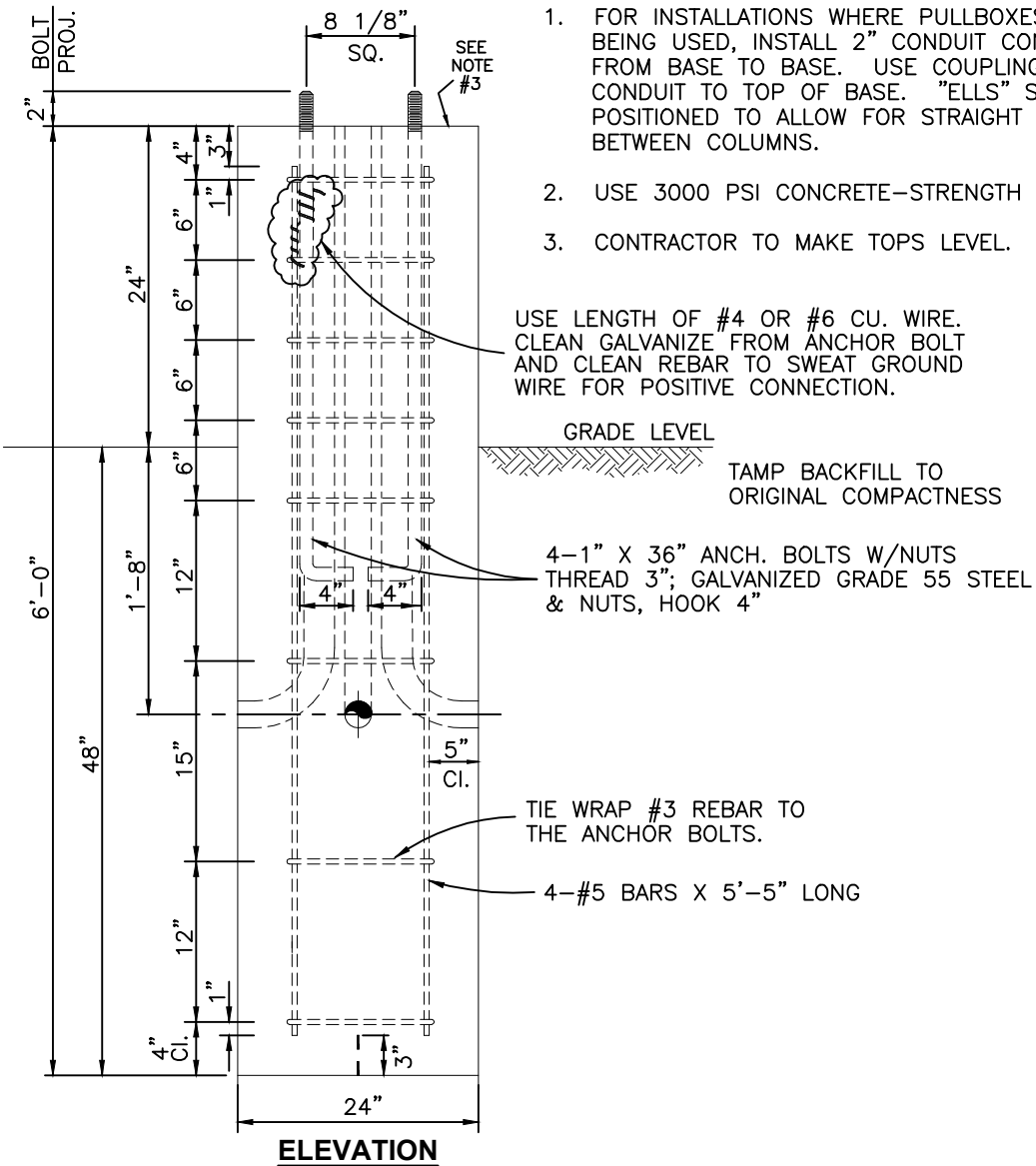
- NOTES:**
1. USE 3000 PSI CONCRETE-STRENGTH @ 28 DAYS
 2. CONTRACTOR TO MAKE TOPS LEVEL.

**CONCRETE BASE INSTALLED
BY CONTRACTOR
40 FT. AL. COLUMN**



NOTES:

1. FOR INSTALLATIONS WHERE PULLBOXES ARE NOT BEING USED, INSTALL 2" CONDUIT CONTINUOUS FROM BASE TO BASE. USE COUPLINGS AND EXTEND CONDUIT TO TOP OF BASE. "ELLS" SHOULD BE POSITIONED TO ALLOW FOR STRAIGHT RUNS BETWEEN COLUMNS.
2. USE 3000 PSI CONCRETE-STRENGTH @ 28 DAYS
3. CONTRACTOR TO MAKE TOPS LEVEL.



CONCRETE BASE INSTALLED BY CONTRACTOR WASHINGTON COLUMN, SINGLE OR TWIN