



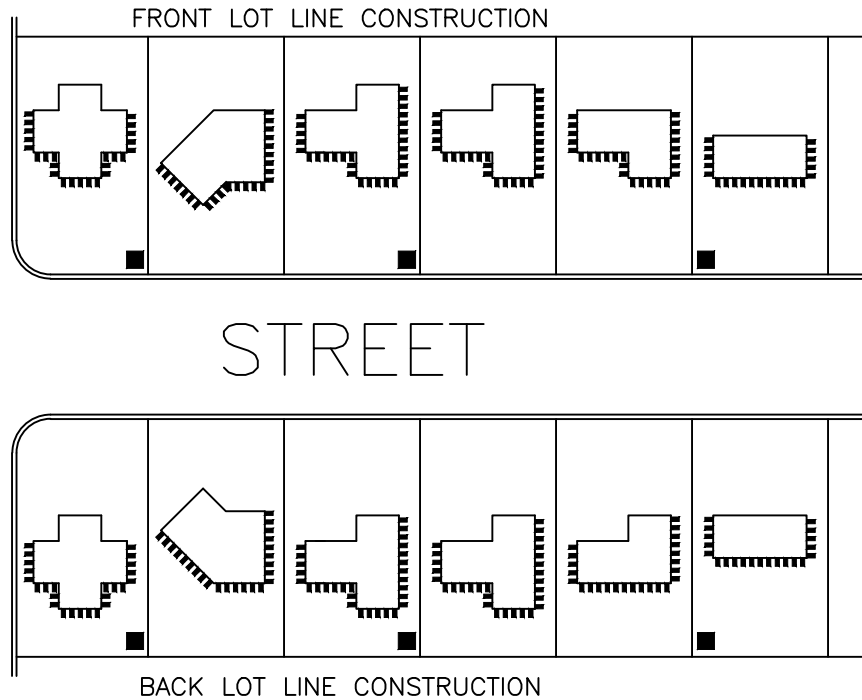
In cases where a customer is required by AES Indiana or chooses to install conduit or open the trench for AES Indiana cable installation, it is preferred by AES Indiana that the customer hire a trenching contractor approved by AES Indiana. The following is a list of approved trenching contractors:

Contractor	Office Phone	Fax Number	Contact
AK&M Trenching 6902 W. Range Rd. Boggstown, IN 46110	(317) 729-6060	(317) 729-5584	Tony Mohr
JAM, Excavating Services, 3120 W. Morris St. Indianapolis, IN. 46241	(317) 691-4086		Jennifer Marlett Dillion Douthitt
Garver Utilities Service 824 Baronne St. Lebanon, IN 46052	(765) 482-6209	(765) 482-6209	Randy Moore
Greenwald Enterprises 7637 Hayworth Rd. Indianapolis, IN 46221	(317) 856-8105	(317) 856-4557	Doug Greenwald Joe Greenwald Josh Sloan
Robinson Trenching 12368 Southeastern Ave. Indianapolis, IN 46259	(317) 862-3929	(317) 862-9319	Ed Robinson Jake Henderson James Layne Matt Robinson Scott Robinson
Stover Construction 1116 E. US-52 Morristown, IN 46161	(317) 557-4061	(765) 763-7580	David Stover Crystal Stover
Sub-Surface of Indiana 7225 W. 700 South Morgantown, IN 46160	(812) 597-4195	(812) 597-4196	Jeremy Akers – West Todd Larson Gary Fox - East
Meade Inc. 3150 W. Morris St Indianapolis, IN 46241	(317) 780-0322	(317) 780-0366	Grant Williams Nick Shelburn
Lighting Work , (See Note 3)			

NOTES:

1. Customer provided trenches shall meet the criteria required in Section 220A2.
2. Customer provided trench and conduit shall be inspected by the AES Indiana representative that marked the trench route with you for proper depth and installation prior to backfilling the trench. Corrections due to improper installation shall be the responsibility and expense of the customer.
3. For AES Indiana lighting work only, not for general trenching work.

APPROVED

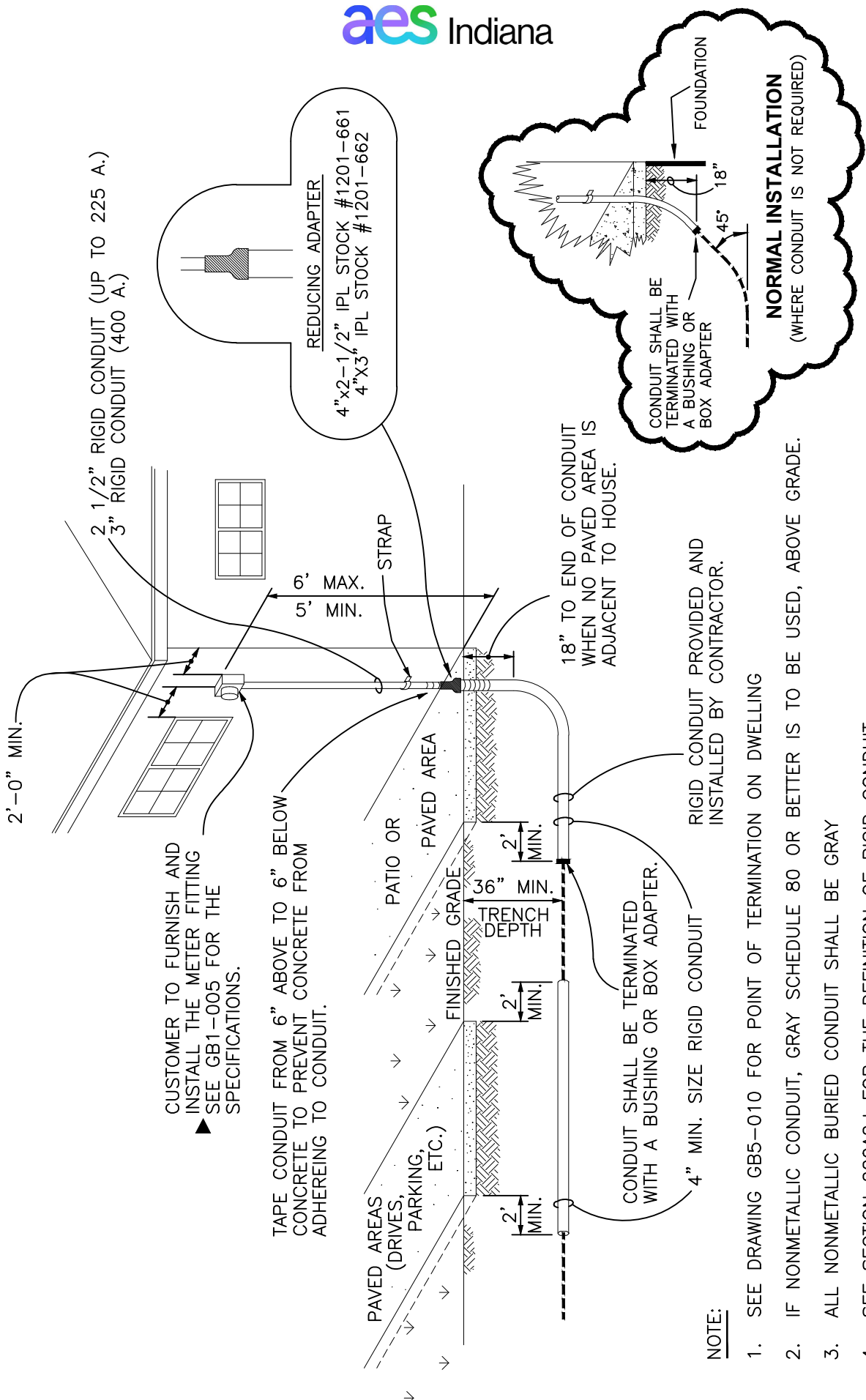


- COMPANY SERVICE FACILITIES
- METER FITTING SHALL BE LOCATED IN THIS AREA

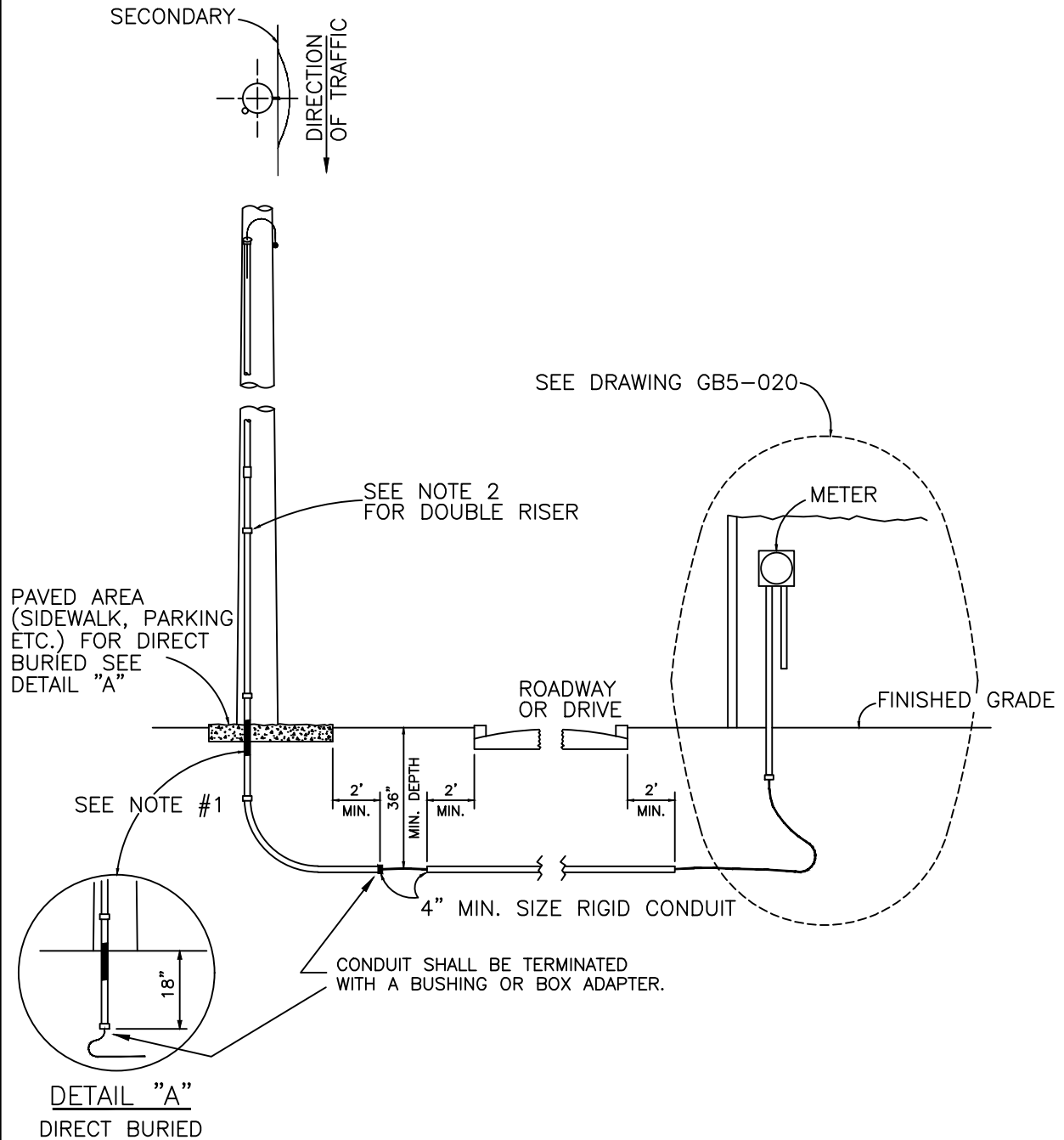
NOTES:

1. THE ABOVE DRAWING SHOWS VARIOUS SHAPED HOUSES AND COMPANY FACILITIES WITH BOTH FRONT AND BACK LOT LINE CONSTRUCTION.
- ▶ 2. THE SERVICE INSTALLATION TEAM WILL LOCATE ALL SINGLE AND TWO FAMILY RESIDENTIAL SERVICES 400 AMPERES AND BELOW. SERVICES OVER 400 AMPERES WILL BE LOCATED BY THE ENGINEERING DEPARTMENT.
3. THE COMPANY WILL NOT INSTALL SERVICE CABLE TO A METER FITTING WHICH IS NOT IN PRESCRIBED AREA AS INDICATED ABOVE.
4. SEE DRAWING GB5-020 FOR INSTALLATION REQUIREMENTS.
5. SEE SECTION 565 FOR UNACCEPTABLE METER LOCATIONS.

RESIDENTIAL METER LOCATIONS FOR UNDERGROUND SERVICE



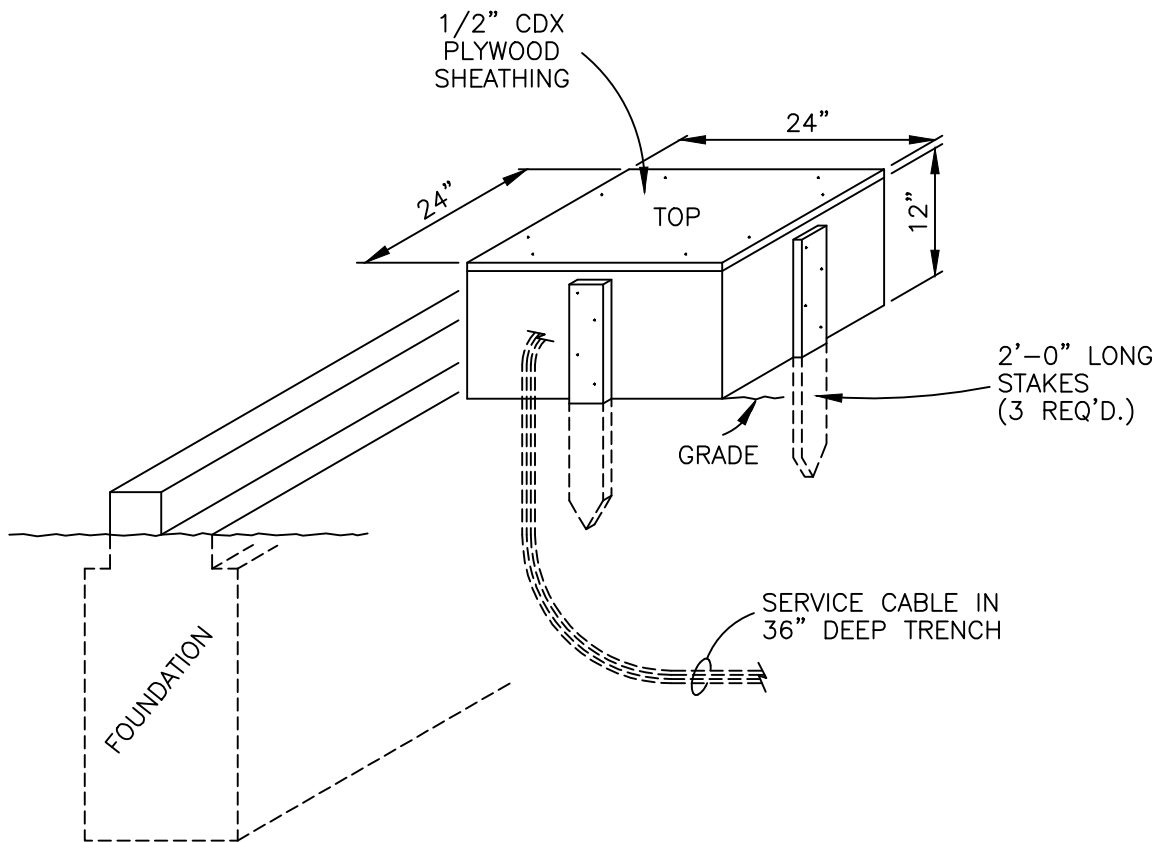
UNDERGROUND RESIDENTIAL SERVICE 400 A MAXIMUM SERVICE



NOTES:

1. TAPE CONDUIT FROM ABOVE GROUND LINE TO 6" BELOW TO PREVENT CORROSION, IF USING METALIC CONDUIT.
2. SEE DRAWING GB7-010 FOR RISER ATTACHMENT TO POLE.
3. ALL NONMETALLIC BURIED CONDUIT SHALL BE GRAY
- ▶ 4. SEE SECTION 220A2d FOR THE DEFINITION OF RIGID CONDUIT.

**SECONDARY RISERS FOR
SINGLE AND THREE PHASE SERVICES**



PRELIMINARY INSTALLATION
INSTRUCTIONS FOR BUILDER

1. NO BOTTOM REQUIRED.
2. PLACE BOX NEXT TO FOUNDATION—DO NOT INSTALL TOP.
3. INSTALL STAKES.
4. GRADE TO WITHIN ± 4 " OF FINAL GRADE—CLEAR DEBRIS.

COMPANY

1. TRENCH & INSTALL CABLE.
2. LOOP 7 FT. OF CABLE IN BOX.
3. ATTACH TOP TO BOX.

FINAL INSTALLATION
ELECTRICAL CONTRACTOR

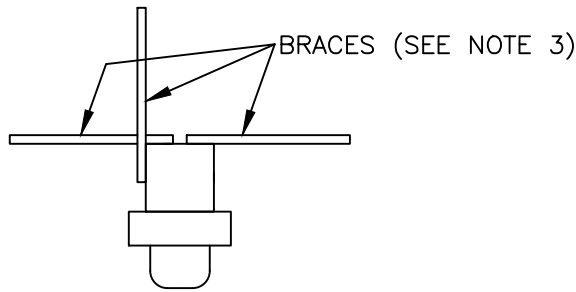
1. REMOVE LID AND BOX.
2. INSTALL CABLE IN CONDUIT AS REQUIRED AND FASTEN TO WALL.
3. INSTALL METER CABINET ON CONDUIT AND FASTEN TO WALL.
4. INSPECT SERVICE AND TAG.
- 5. CALL (317) 261-8222 TO REQUEST SERVICE.

COMPANY

1. MAKE CONNECTION IN METER BASE.
2. INSTALL METER AND ENERGIZE SERVICE.

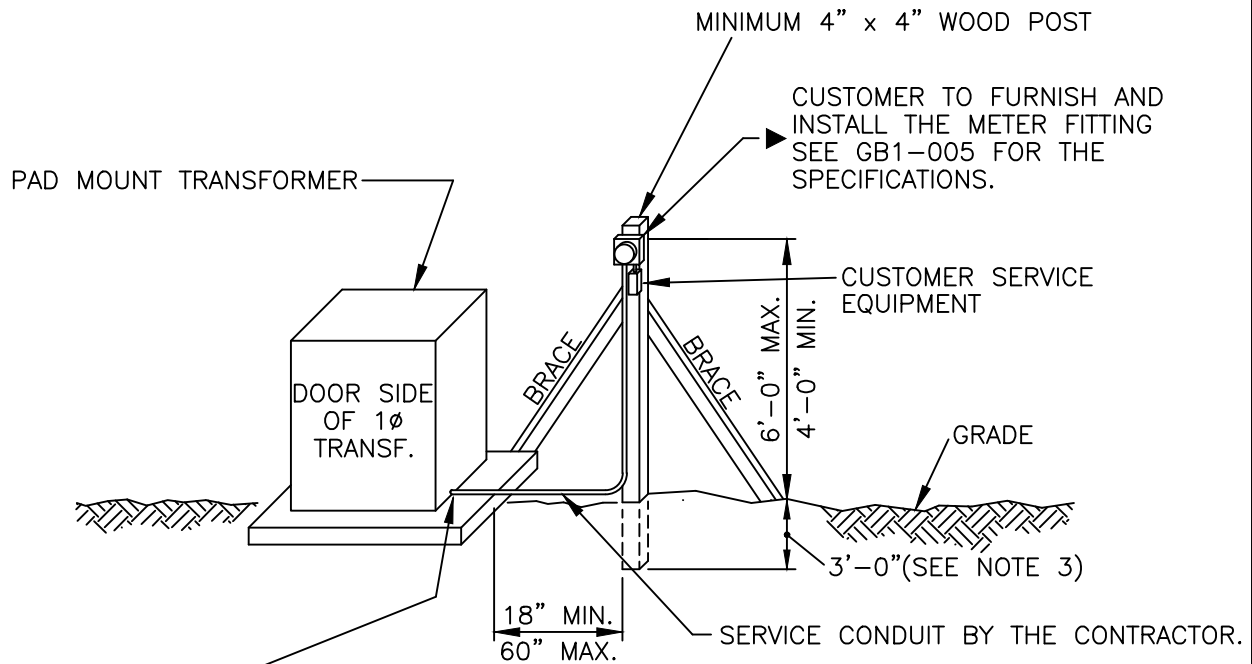
CUSTOMER TO BE RESPONSIBLE FOR
PROTECTION OF SERVICE EQUIPMENT.

**NEW RESIDENTIAL SERVICE CABLE
INSTALLATION TO FOUNDATION
OPTIONAL METHOD**



BRACING DETAIL

PLAN VIEW



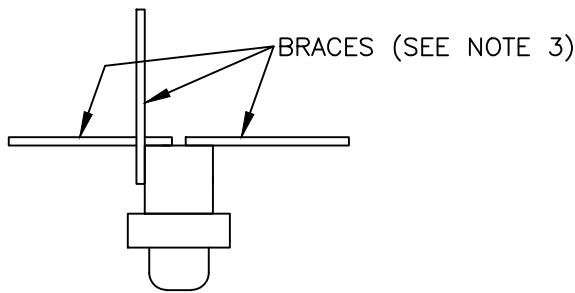
CONTRACTOR TO PROVIDE 3'-0" OF CABLE FROM END OF CONDUIT. STUBBED AT EXISTING 2" ACCESS HOLE IN TRANSFORMER FOR CONNECTION BY THE COMPANY.

1Ø PAD

NOTES

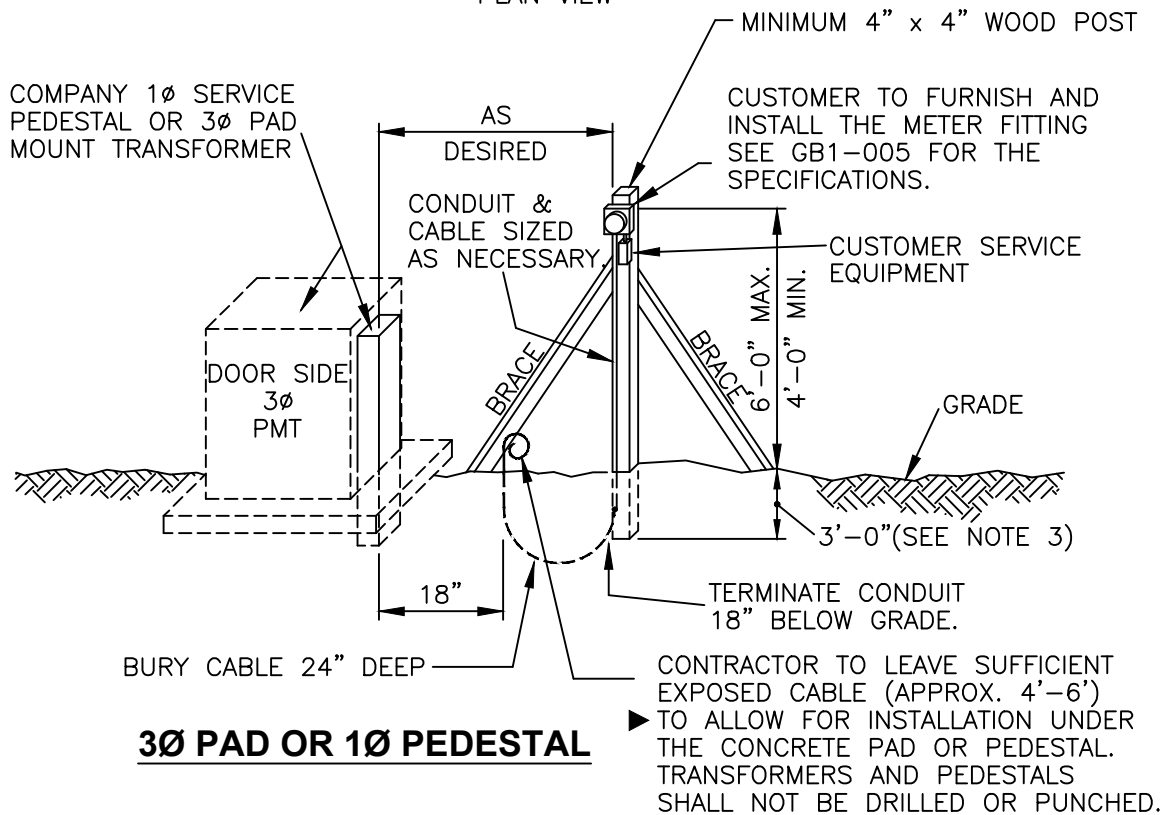
1. THE COMPANY WILL COMPLETE CABLE INSTALLATION AND CONNECT IN 1Ø PMT.
2. TEMPORARY SERVICE SHOULD NOT BE IN PROPOSED PERMANENT SERVICE ROUTE.
3. 4" X 4" POST MUST BE SET 3' DEEP IN SOLID GROUND OR BRACING WILL BE REQUIRED.
4. FOR DEFINITION OF "TEMPORARY", SEE SECTION 107.

**TEMPORARY UNDERGROUND CONSTRUCTION
120/240 VOLT, 1 PHASE, 3 WIRE
225 A MAXIMUM SERVICE**



BRACING DETAIL

PLAN VIEW

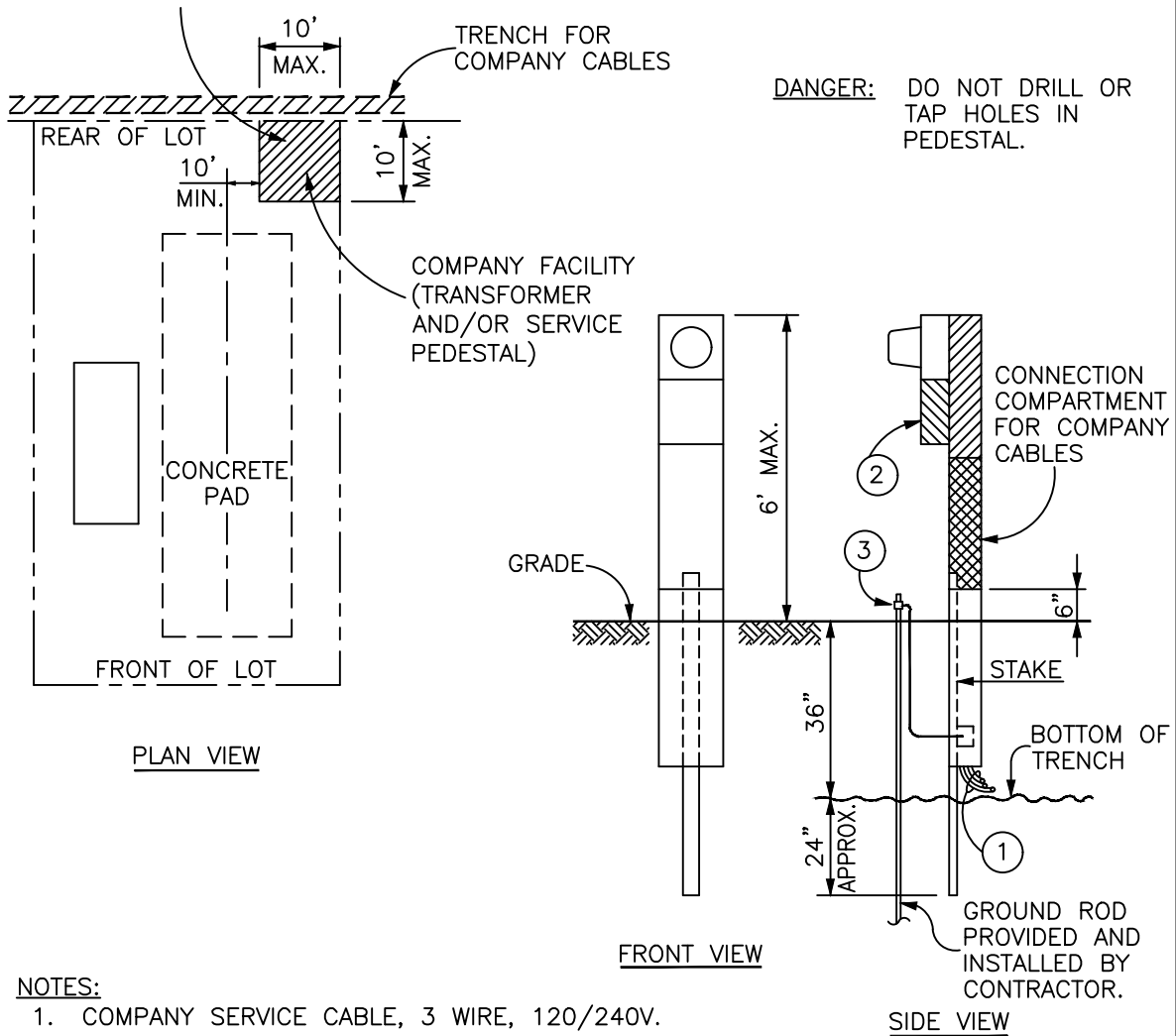


NOTES

1. THE COMPANY WILL COMPLETE CABLE INSTALLATION AND CONNECT IN SERVICE PEDESTAL OR 3Ø PMT.
2. TEMPORARY SERVICE SHOULD NOT BE IN PROPOSED PERMANENT SERVICE ROUTE.
3. 4" X 4" POST MUST BE SET 3' DEEP IN SOLID GROUND OR BRACING WILL BE REQUIRED.
4. FOR DEFINITION OF "TEMPORARY", SEE SECTION 107.

**TEMPORARY UNDERGROUND
CONSTRUCTION
120/240 VOLT, 1 PHASE, 3 WIRE
120/208 VOLT, 3 PHASE, 4 WIRE
225 A MAXIMUM SERVICE
120/208 VOLT, 1 PHASE, 3 WIRE
125 A MAXIMUM SERVICE**

SINGLE METER PEDESTAL, FACE METER TOWARDS FRONT OF LOT. THE DEVELOPER IS RESPONSIBLE FOR LOCATING METER PEDESTAL IN CROSS-HATCHED AREA TO MEET THE REQUIREMENTS AS SHOWN BELOW.

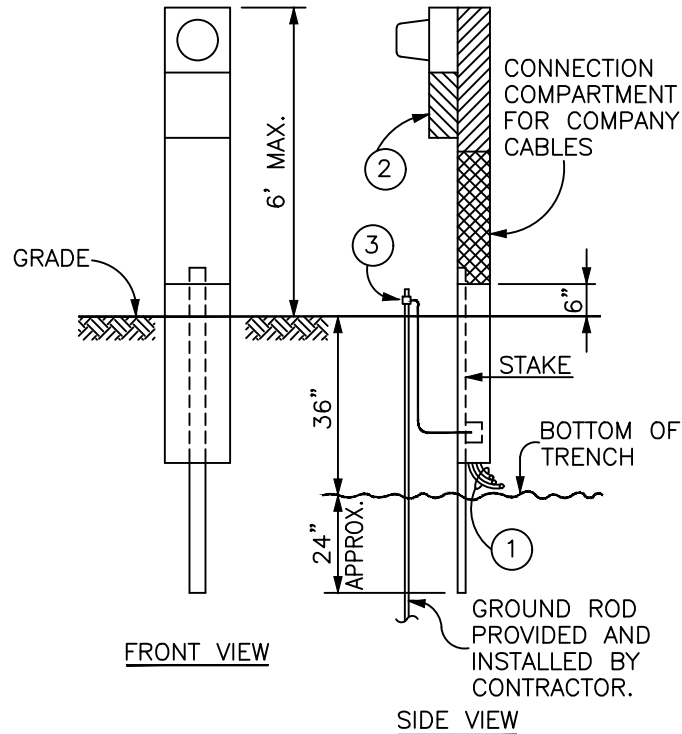


NOTES:

1. COMPANY SERVICE CABLE, 3 WIRE, 120/240V.
2. COMPARTMENT FOR CUSTOMER'S SERVICE EQUIPMENT.
3. THE CONTRACTOR SHALL GROUND THE SERVICE FACILITIES. THE CONTRACTOR SHALL DRIVE THE GROUND ROD(S) ON METER SIDE OF PEDESTAL TO AVOID COMPANY CABLES. THE COMPANY WILL CONNECT THE GROUNDING ELECTRODE CONDUCTOR TO THE NEUTRAL AND EQUIPMENT GROUND IN CONNECTION COMPARTMENT.
4. THE METER PEDESTAL TO BE SUPPLIED BY CUSTOMER.
5. THIS INSTALLATION IS FOR MOBILE HOME PARKS AND MOBILE HOMES THAT ARE NOT APPROVED FOR THE INSTALLATION OF A METER ON THE SIDE.
- ▶ 6. WHERE NEEDED, THE CUSTOMER MAY INSTALL BLACK OR BLACK WITH A RED STRIPE 2-1/2" HDPE CONDUIT FOR THE COMPANY SERVICE CABLE. MAXIMUM LENGTH SHALL BE LIMITED TO 100 FEET AND NO MORE THAN 270 DEGREE OF BENDS.

**SINGLE METER PEDESTAL INSTALLATION
FOR MOBILE HOME
120/240 VOLT, 1 PHASE, 3 WIRE
225 A MAXIMUM SERVICE**

DANGER: DO NOT DRILL OR TAP HOLES IN PEDESTAL.

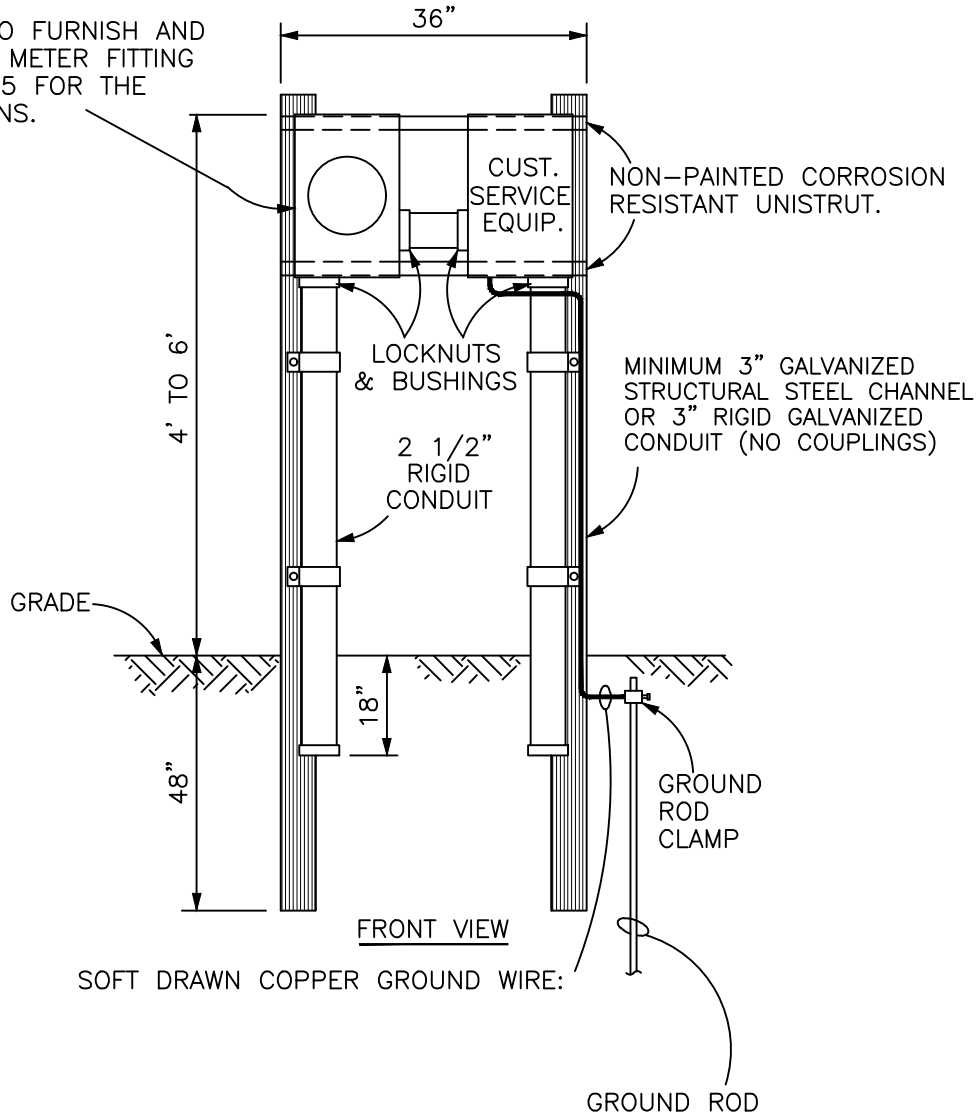


NOTES:

1. COMPANY SERVICE CABLE, 3 WIRE, 120/240V.
2. COMPARTMENT FOR CUSTOMER'S SERVICE EQUIPMENT.
3. THE CONTRACTOR SHALL GROUND THE SERVICE FACILITIES. THE CONTRACTOR SHALL DRIVE THE GROUND ROD(S) ON METER SIDE OF PEDESTAL TO AVOID COMPANY CABLES. THE COMPANY WILL CONNECT THE GROUNDING ELECTRODE CONDUCTOR TO THE NEUTRAL AND EQUIPMENT GROUND IN CONNECTION COMPARTMENT.
4. THE METER PEDESTAL TO BE SUPPLIED BY CUSTOMER.
5. 230.7 OF THE INDIANA ELECTRICAL CODE STATE, "CONDUCTORS OTHER THAN SERVICE CONDUCTORS SHALL NOT BE INSTALLED IN THE SAME SERVICE RACEWAY." SERVICE CABLE SHALL BE SEPARATED FROM THE CUSTOMER'S CONDUCTORS BY A FACTORY INSTALLED BARRIER.
- ▶ 6. WHERE NEEDED, THE CUSTOMER MAY INSTALL BLACK OR BLACK WITH A RED STRIPE 2-1/2" HDPE CONDUIT FOR THE COMPANY SERVICE CABLE. MAXIMUM LENGTH SHALL BE LIMITED TO 100 FEET AND NO MORE THAN 270 DEGREE OF BENDS.

**SINGLE METER PEDESTAL INSTALLATION
120/240 VOLT, 1 PHASE, 3 WIRE
225 A MAXIMUM SERVICE**

CUSTOMER TO FURNISH AND INSTALL THE METER FITTING SEE GB1-005 FOR THE SPECIFICATIONS.



NOTES

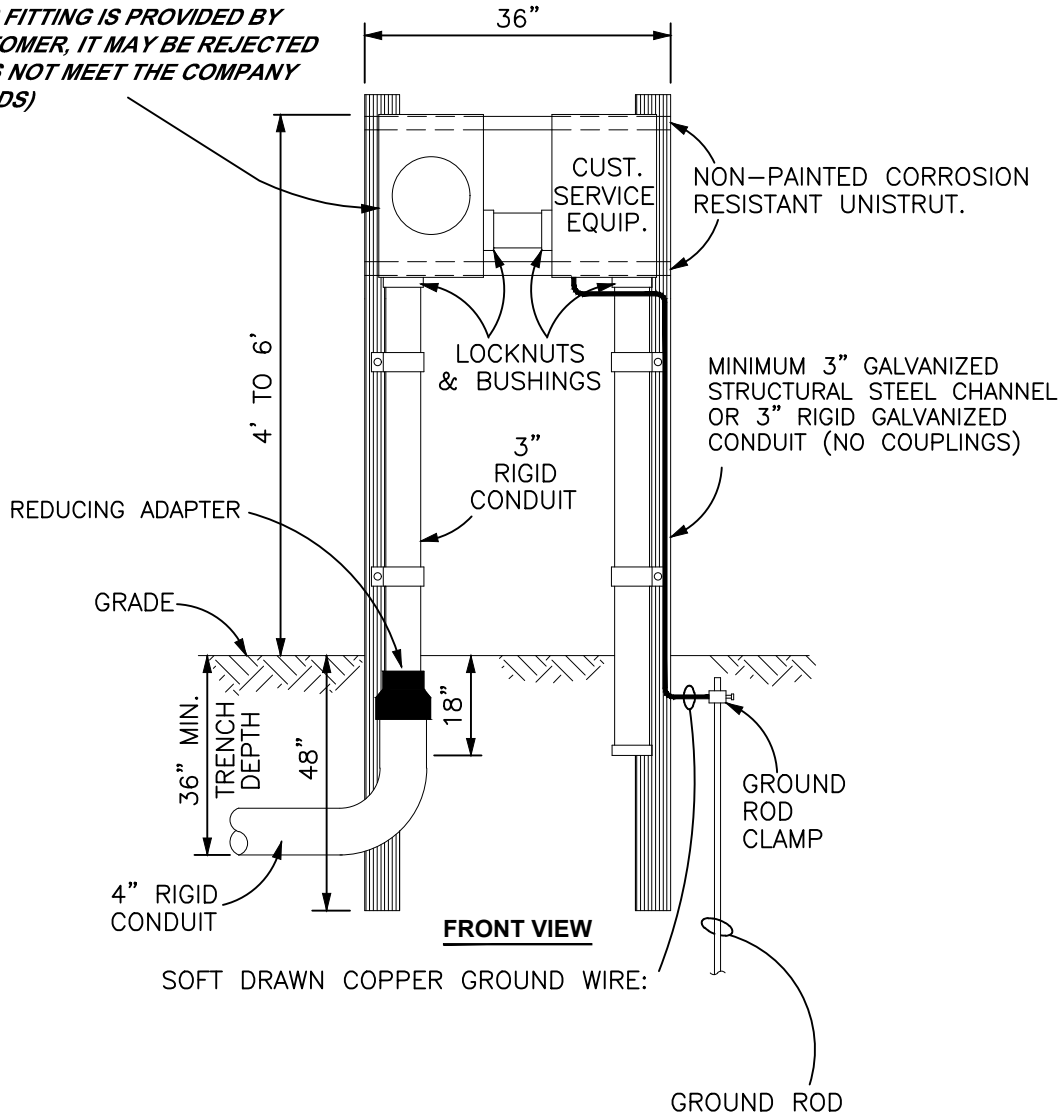
1. THE CONTRACTOR SHALL GROUND THE SERVICE FACILITIES. THE CONTRACTOR SHALL DRIVE THE GROUND ROD(S) TO AVOID COMPANY CABLES.
2. THIS INSTALLATION IS AN ALTERNATE FOR MOBILE HOME PARKS AND MOBILE HOMES THAT ARE NOT APPROVED FOR THE INSTALLATION OF A METER ON THE SIDE.
3. CONDUIT SHALL BE TERMINATED WITH A BUSHING OR BOX ADAPTER.
- ▶ 4. SEE SECTION 220A2d FOR THE DEFINITION OF RIGID CONDUIT.

**200 A METER FITTING
FREE STANDING - UNDERGROUND INSTALLATION
120/240 VOLT, 1 PHASE, 3 WIRE
225 A MAXIMUM SERVICE**

3 PHASE METER FITTING STOCK CODE

▶ #4008-035 FURNISHED BY COMPANY,
INSTALLED BY CONTRACTOR.

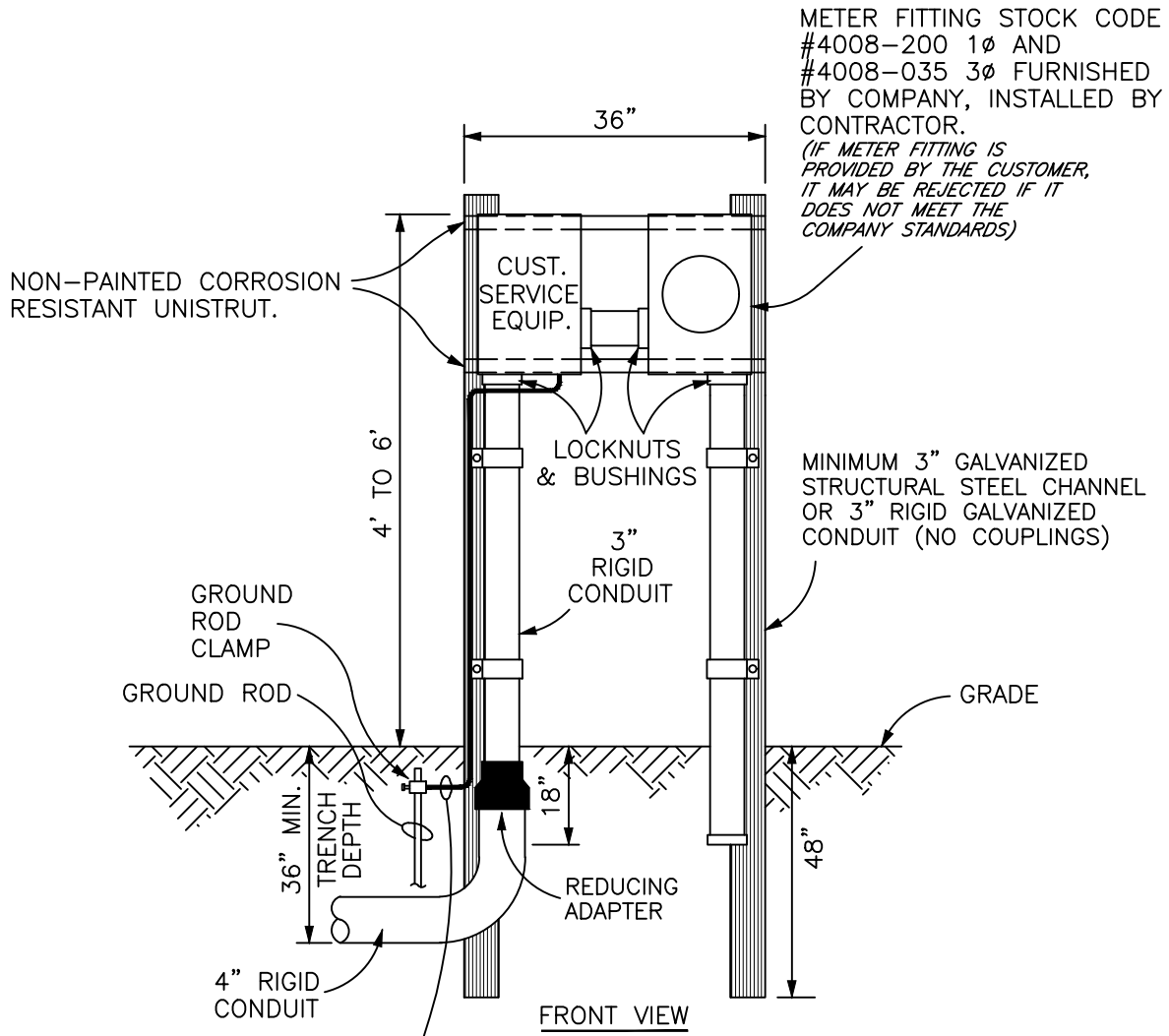
*(IF METER FITTING IS PROVIDED BY
THE CUSTOMER, IT MAY BE REJECTED
IF IT DOES NOT MEET THE COMPANY
STANDARDS)*



NOTES

1. THE CONTRACTOR SHALL GROUND THE SERVICE FACILITIES. THE CONTRACTOR SHALL DRIVE THE GROUND ROD(S) TO AVOID COMPANY CABLES.
2. THIS INSTALLATION IS AN ALTERNATE METHOD FOR MOBILE HOME PARKS AND MOBILE HOMES THAT ARE NOT APPROVED FOR THE INSTALLATION OF A METER FITTING ON THE SIDE OF THE MOBILE HOME.
3. 4"X3" REDUCING ADAPTER, IPL STOCK #1201-662.
4. CONTINUOUS CONDUIT REQUIRED ON ALL 3 PHASE SERVICES.
5. SEE SECTION 220A2d FOR THE DEFINITION OF RIGID CONDUIT.

**200 A METER FITTING
FREE STANDING - UNDERGROUND INSTALLATION
120/240 VOLT, 3 PHASE, 4 WIRE
120/208 VOLT, 3 PHASE, 4 WIRE
225 A MAXIMUM SERVICE**

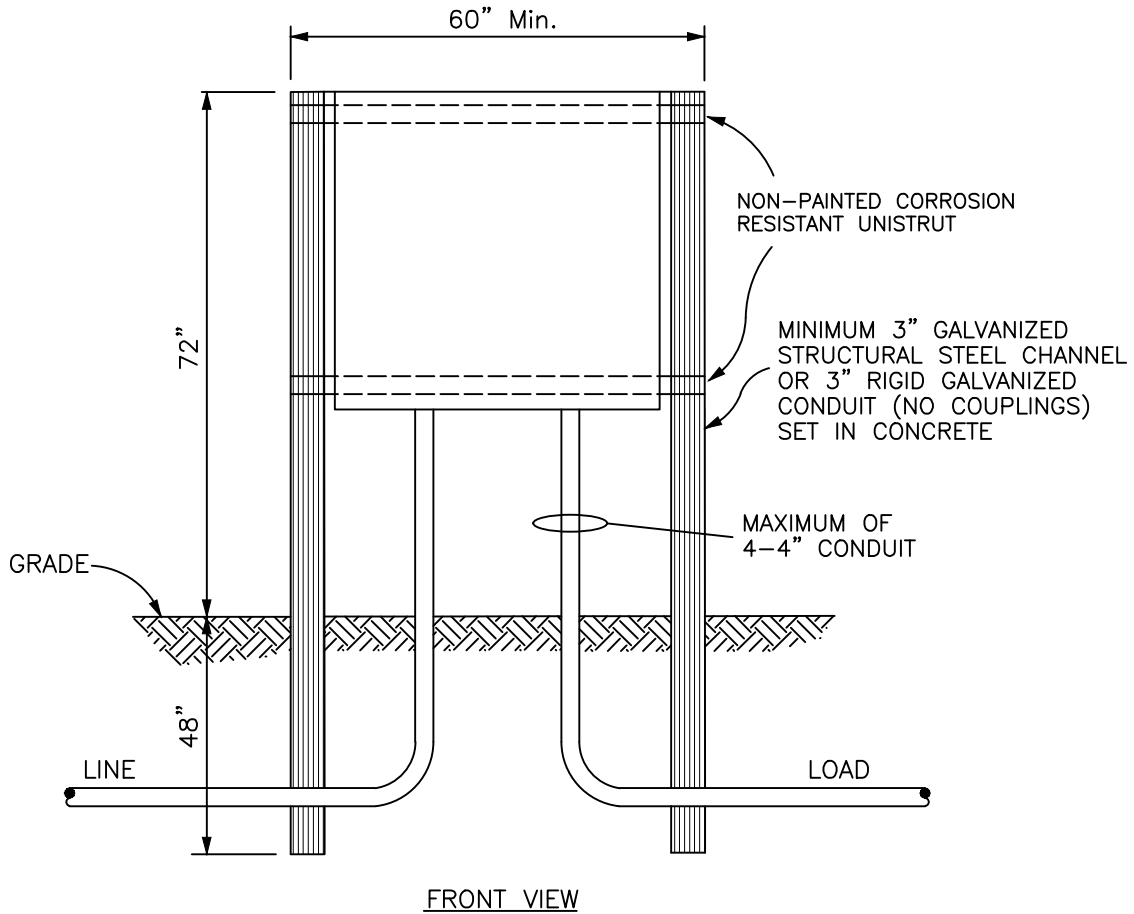


SOFT DRAWN COPPER GROUND WIRE:

NOTES

1. THE CONTRACTOR SHALL GROUND THE SERVICE FACILITIES. THE CONTRACTOR SHALL DRIVE THE GROUND ROD(S) TO AVOID COMPANY CABLES.
2. THIS INSTALLATION IS AN ALTERNATE FOR MOBILE HOME PARKS AND MOBILE HOMES THAT ARE NOT APPROVED FOR THE INSTALLATION OF A METER ON THE SIDE.
3. 4"X3" REDUCING ADAPTER, IPL STOCK #1201-662.
4. CONTINUOUS CONDUIT REQUIRED ON ALL 3 PHASE SERVICES.
5. METER FITTING IS TO BE COLD SEQUENCE, SEE SEC. 550A7 FOR THE DEFINITION, AND THE DICONNECTING MEANS SHALL BE LOCKABLE.

**200 A METER FITTING
 FREE STANDING - UNDERGROUND INSTALLATION
 277/480 VOLT, 1 PHASE, 3 WIRE
 277/480 VOLT, 3 PHASE, 4 WIRE
 225 A MAXIMUM SERVICE**



NOTES

1. SEE APPROPRIATE GOLD BOOK DRAWING FOR THE METER CABINET BEING USED.

**FREE STANDING STRUCTURE
FOR CT METERING
CABINET - UNDERGROUND INSTALLATION
120/208, 120/240, 277/480 VOLT 3Ø 4 WIRE
250A TO 1200A SERVICE**

