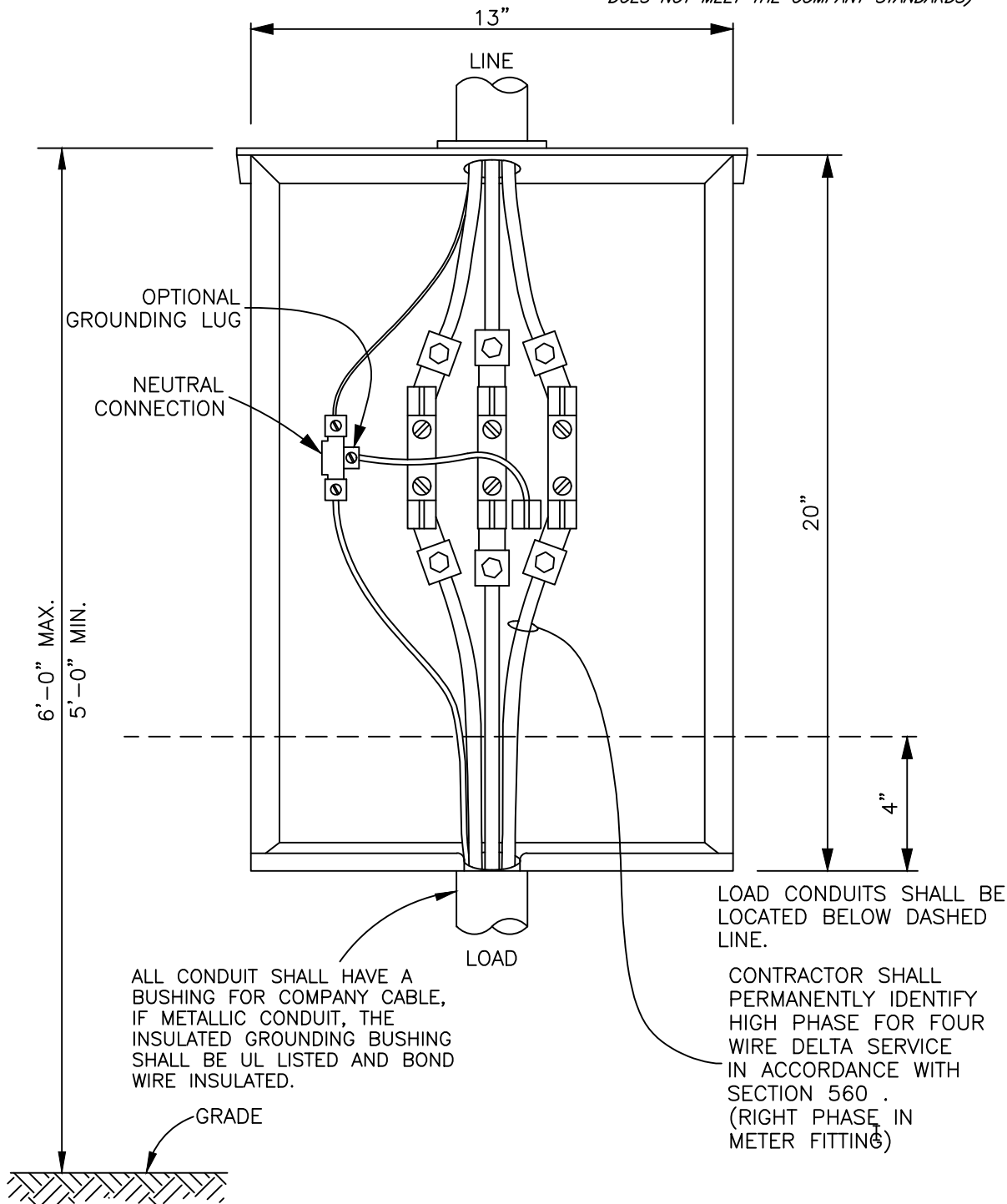


METER FITTING STOCK  
 CODE #4008-035  
 FURNISHED BY COMPANY,  
 INSTALLED BY CONTRACTOR.  
 (IF METER FITTING IS PROVIDED BY THE  
 CUSTOMER, IT MAY BE REJECTED IF IT  
 DOES NOT MEET THE COMPANY STANDARDS)



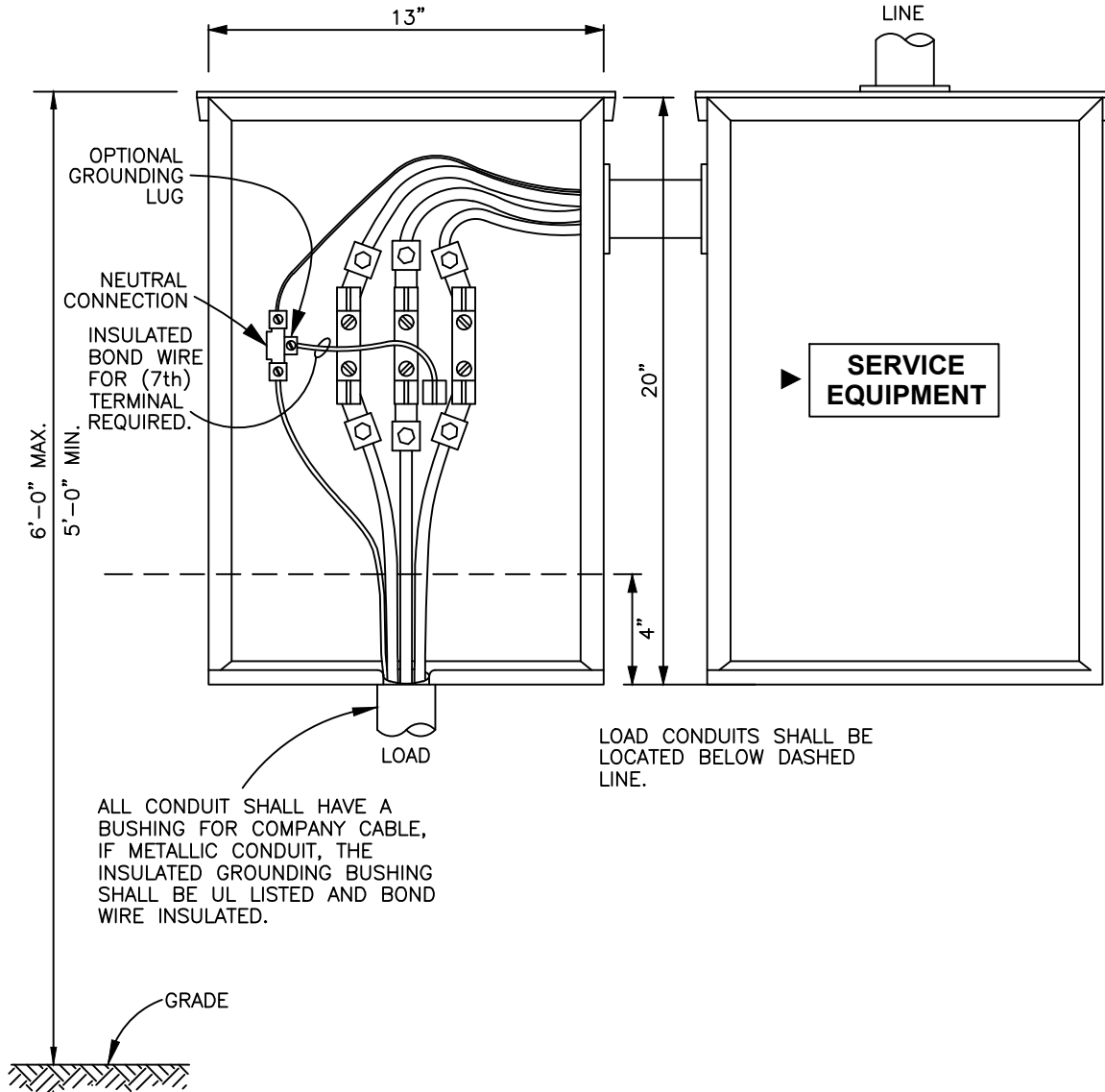
ALL CONDUIT SHALL HAVE A BUSHING FOR COMPANY CABLE, IF METALLIC CONDUIT, THE INSULATED GROUNDING BUSHING SHALL BE UL LISTED AND BOND WIRE INSULATED.

LOAD CONDUITS SHALL BE LOCATED BELOW DASHED LINE.

CONTRACTOR SHALL PERMANENTLY IDENTIFY HIGH PHASE FOR FOUR WIRE DELTA SERVICE IN ACCORDANCE WITH SECTION 560 . (RIGHT PHASE IN METER FITTING)

**200 A METER FITTING  
 OVERHEAD INSTALLATION  
 120/208 VOLT 3 PHASE 4 WIRE  
 120/240 VOLT 3 PHASE 4 WIRE  
 225 A MAXIMUM SERVICE**

METER FITTING STOCK  
 CODE #4008-035  
 FURNISHED BY COMPANY,  
 INSTALLED BY CONTRACTOR.  
 (IF METER FITTING IS PROVIDED BY THE  
 CUSTOMER, IT MAY BE REJECTED IF IT  
 DOES NOT MEET THE COMPANY STANDARDS)

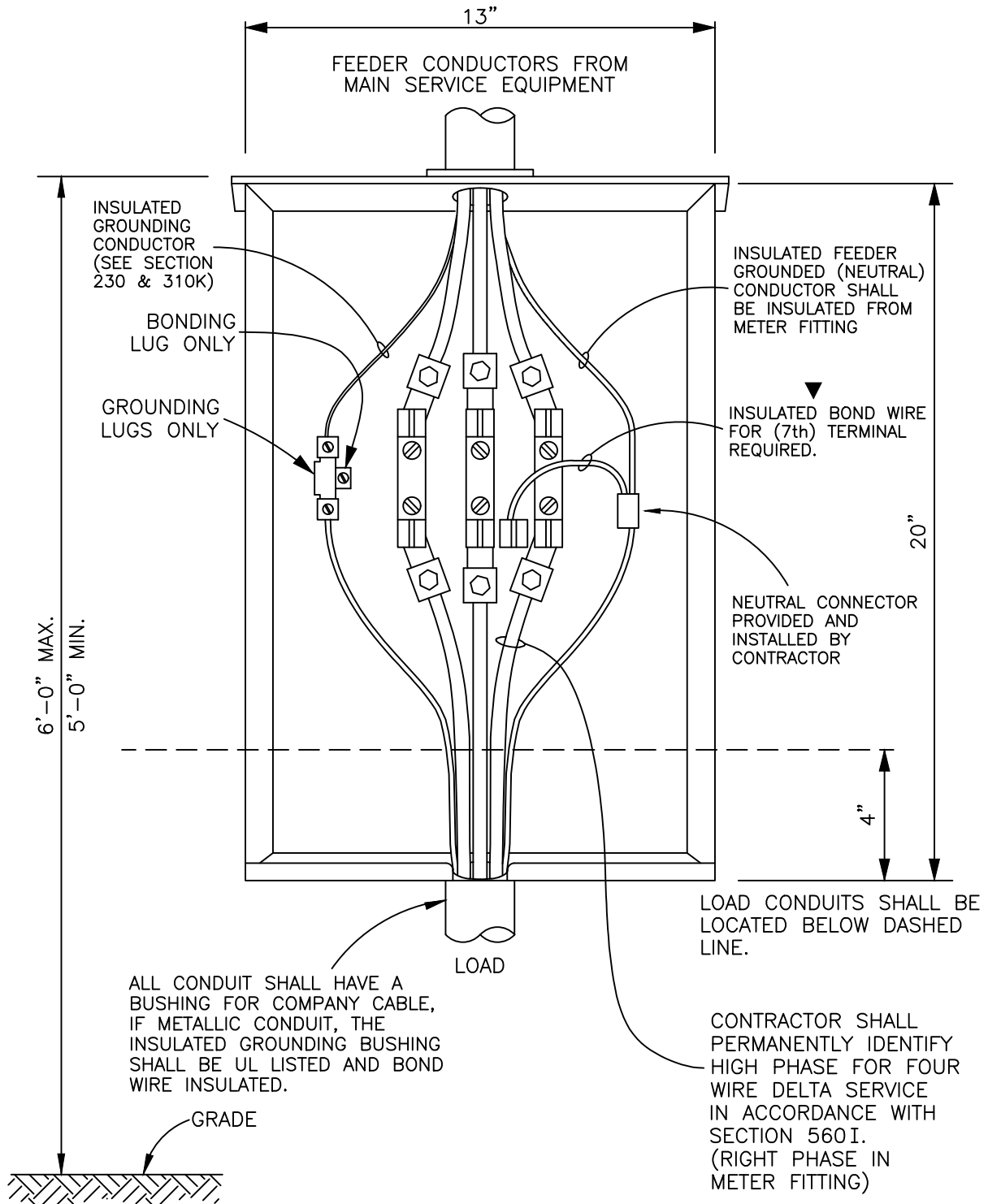


NOTES:

- ▶ 1. CUSTOMER SHALL MAKE THE FINAL CONNECTIONS IN THE SERVICE DISCONNECT AND IN THE METER FITTING.
- ▶ 2. THE SERVICE EQUIPMENT SHALL BE PERMANENTLY LABELED BY THE CUSTOMER, "SERVICE EQUIPMENT".
- ▶ 3. ALL 277/480 VOLT METER FITTINGS SHALL BE IN COLD SEQUENCE, SEE SECTION 550A7 FOR THE DEFINITION, AND THE SERVICE DISCONNECT SHALL BE IN A LOCKABLE ENCLOSURE.

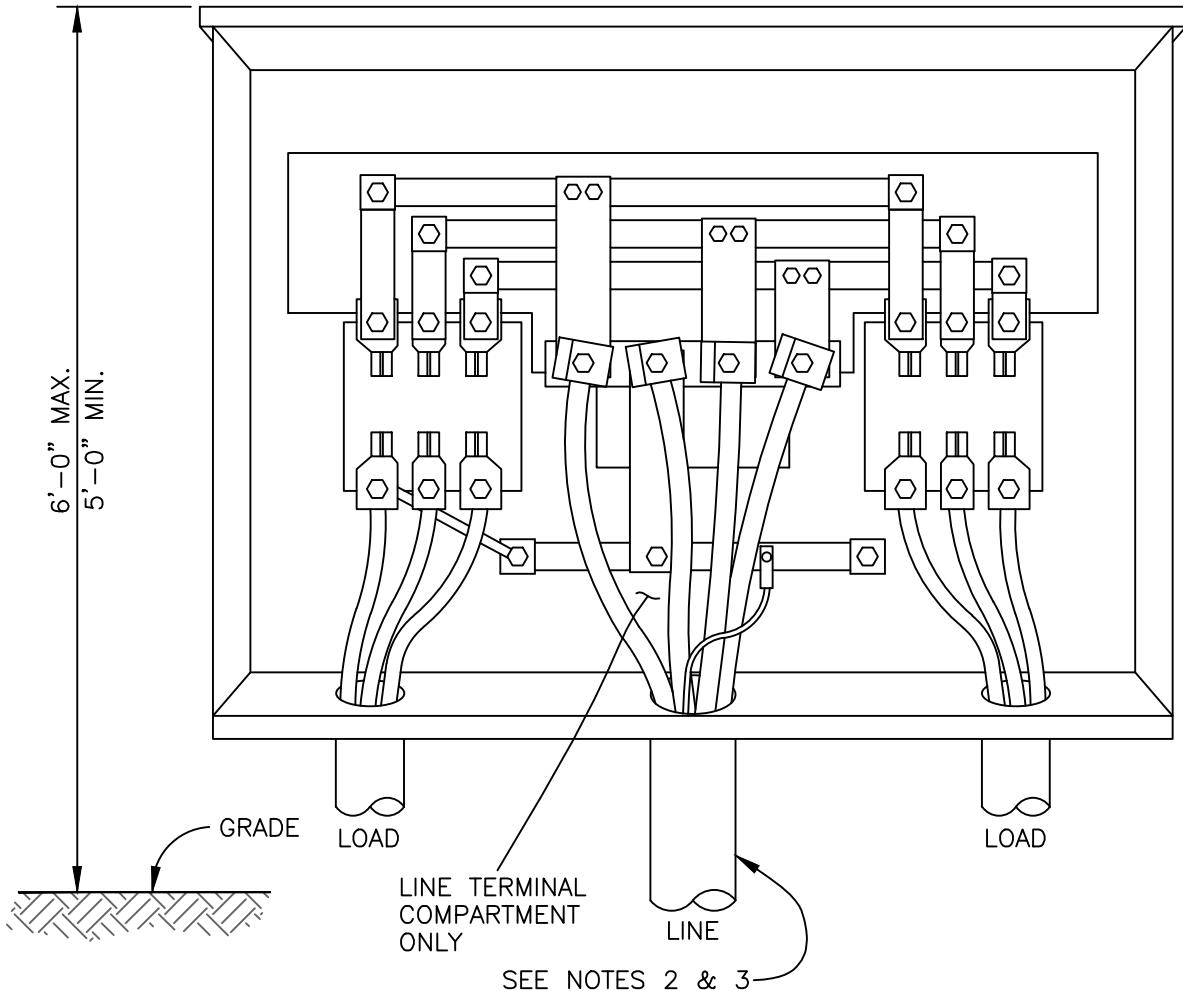
**200 A METER FITTING  
 OVERHEAD INSTALLATION  
 277/480 VOLT 3 PHASE 4 WIRE  
 225 A MAXIMUM SERVICE**

METER FITTING STOCK  
 CODE #4008-035  
 FURNISHED BY COMPANY,  
 INSTALLED BY CONTRACTOR.  
 (IF METER FITTING IS PROVIDED BY THE  
 CUSTOMER, IT MAY BE REJECTED IF IT  
 DOES NOT MEET THE COMPANY STANDARDS)



**200 A METER FITTING  
 INSTALLED AFTER MAIN SERVICE EQUIPMENT  
 120/208 VOLT 3 PHASE 4 WIRE  
 120/240 VOLT 3 PHASE 4 WIRE  
 225 A MAXIMUM SERVICE**

METER FITTING FURNISHED AND  
INSTALLED BY CONTRACTOR.

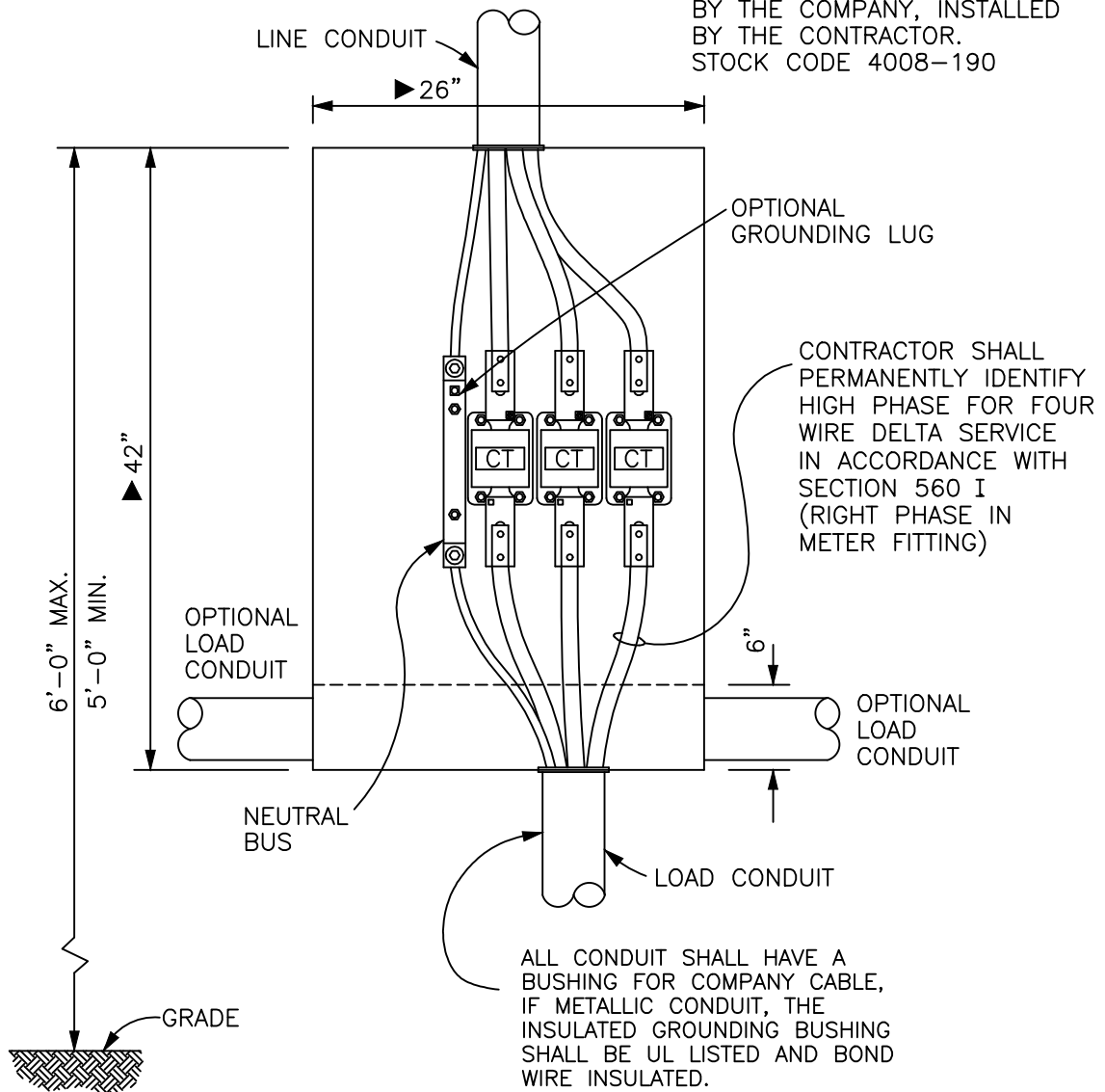


NOTES:

1. MORE THAN TWO GANGED METER FITTINGS IN ONE CABINET SHALL NOT BE PERMITTED.
2. GANGED METER FITTINGS WILL BE PERMITTED TO SUPPLY 120/208 VOLT AND 120/240 VOLT 3 PHASE SERVICES.
3. FOR UNDERGROUND SERVICE CABLE, MINIMUM 4" RIGID METALLIC CONDUIT OR GRAY SCHEDULE 80 PVC INSTALLED BY CONTRACTOR.
4. IF UNDERGROUND, LINE CONDUIT SHALL HAVE A BUSHING FOR COMPANY CABLE; IF METALLIC CONDUIT, THE INSULATED GROUNDING BUSHING SHALL BE U.L. LISTED.
5. BONDING WIRES SHALL BE INSULATED.
6. THE METER FITTING SHALL MEET THE REQUIREMENTS SHOWN ON DRAWING GB1-005 FOR 320 AMPERE, 600 VOLT EXCEPT THE RATING SHALL BE A MINIMUM OF 200 AMPERES.
7. CONTRACTORS SHALL PERMANENTLY IDENTIFY HIGH PHASE FOR FOUR WIRE DELTA SERVICE IN ACCORDANCE WITH SECTION 560I. (RIGHT PHASE IN METER FITTING)

**200A METER FITTING, TWO GANG  
OVERHEAD OR UNDERGROUND INSTALLATION  
120/208 OR 120/240 VOLT, 3 PHASE, 4 WIRE  
225A MAXIMUM SERVICE PER POSITION**

METER FITTING FURNISHED BY THE COMPANY, INSTALLED BY THE CONTRACTOR.  
STOCK CODE 4008-190

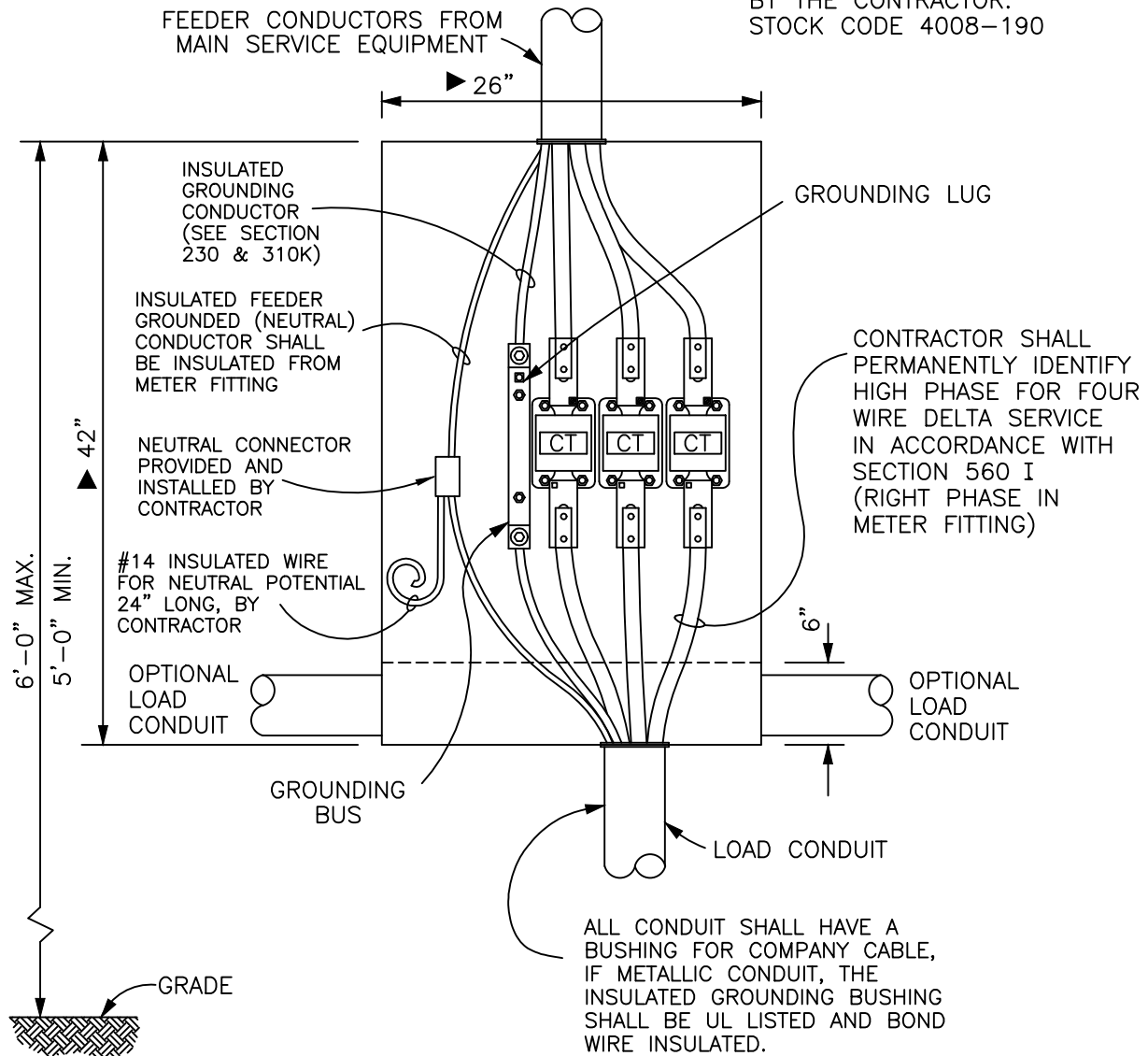


NOTES :

1. USE CENTER KNOCKOUT FOR LINE CONDUIT.
2. IF EXPOSED TO VEHICULAR TRAFFIC, CUSTOMER SHALL PROVIDE AND INSTALL PROTECTIVE POSTS, AS APPROVED BY THE COMPANY.
3. NO ACCESS PERMITTED THROUGH THE BACK OF CABINET

**OUTDOOR METERING,  
OVERHEAD OR TROUGH INSTALLATIONS  
120/208 VOLT, 3 PHASE, 4 WIRE  
120/240 VOLT, 3 PHASE, 4 WIRE  
250 A TO 400 A SERVICE**

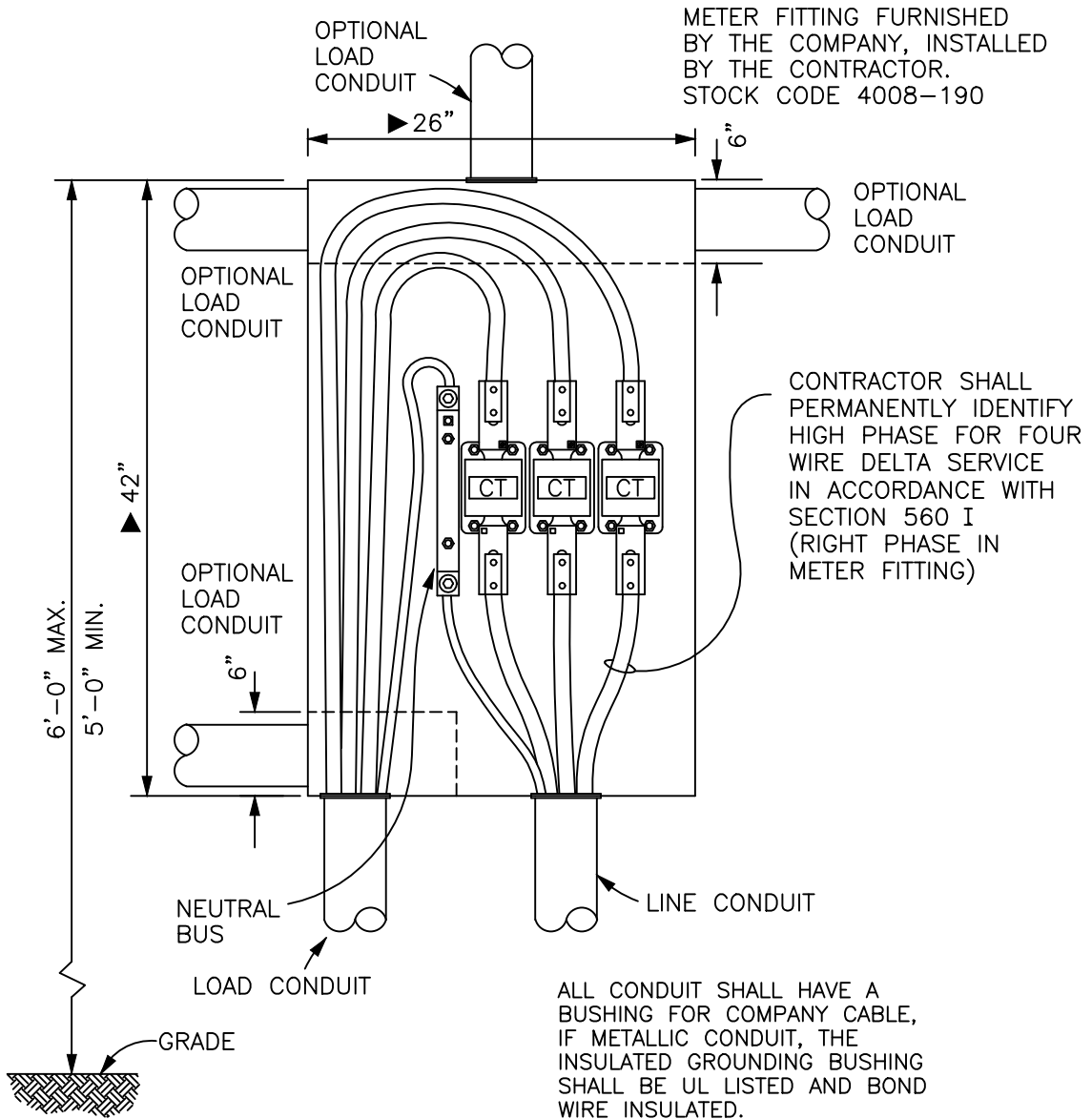
METER FITTING FURNISHED BY THE COMPANY, INSTALLED BY THE CONTRACTOR.  
STOCK CODE 4008-190



NOTES :

1. USE CENTER KNOCKOUT FOR LINE CONDUIT.
2. IF EXPOSED TO VEHICULAR TRAFFIC, CUSTOMER SHALL PROVIDE AND INSTALL PROTECTIVE POSTS, AS APPROVED BY THE COMPANY.
3. NO ACCESS PERMITTED THROUGH THE BACK OF CABINET

**OUTDOOR METERING,  
INSTALLED AFTER MAIN SERVICE EQUIPMENT  
120/208 VOLT, 3 PHASE, 4 WIRE  
120/240 VOLT, 3 PHASE, 4 WIRE  
250 A TO 400 A SERVICE**

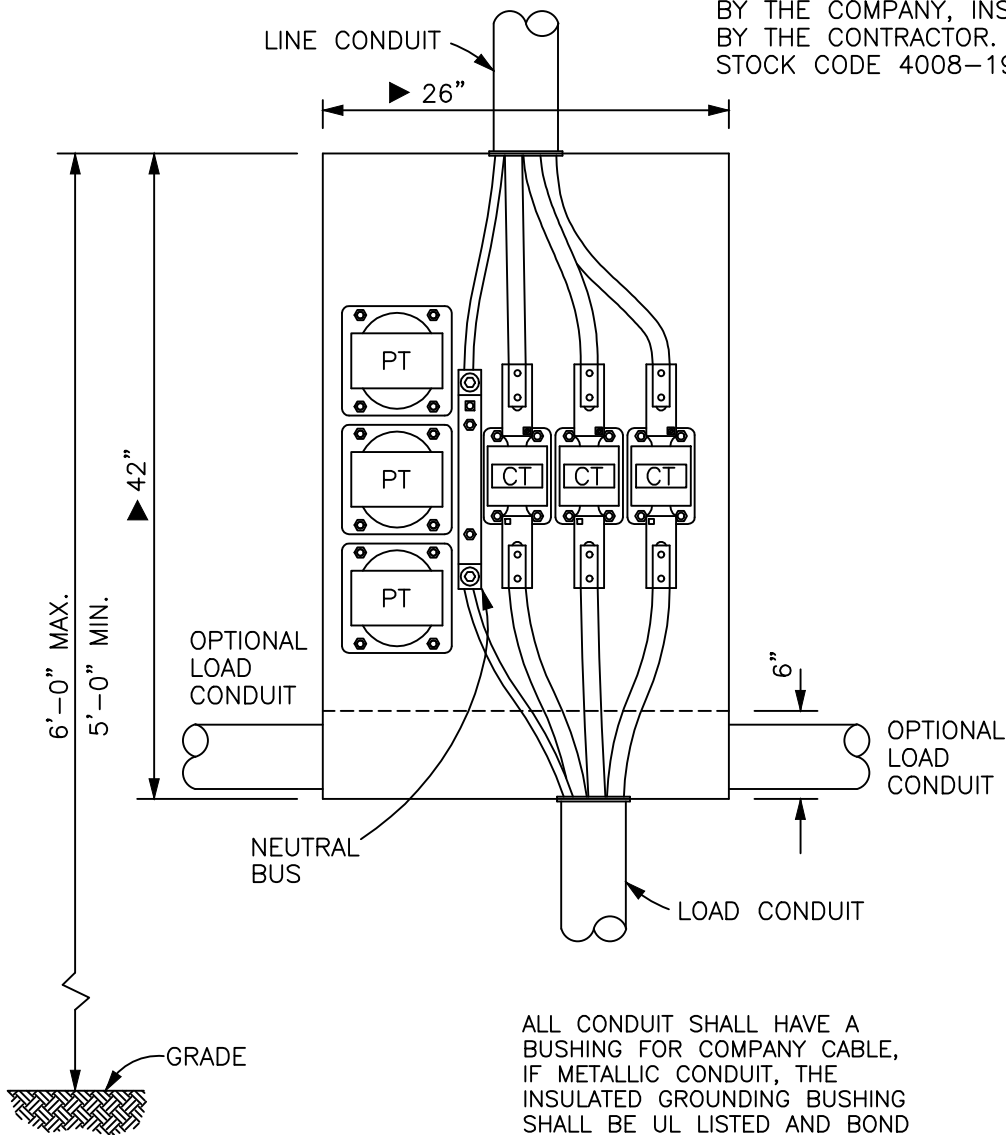


NOTES :

1. USE CENTER KNOCKOUT FOR LINE CONDUIT.
2. IF EXPOSED TO VEHICULAR TRAFFIC, CUSTOMER SHALL PROVIDE AND INSTALL PROTECTIVE POSTS, AS APPROVED BY THE COMPANY.
3. NO ACCESS PERMITTED THROUGH THE BACK OF CABINET

**OUTDOOR METERING,  
UNDERGROUND INSTALLATION  
120/208 VOLT, 3 PHASE, 4 WIRE  
120/240 VOLT, 3 PHASE, 4 WIRE  
250 A TO 400 A SERVICE**

METER FITTING FURNISHED BY THE COMPANY, INSTALLED BY THE CONTRACTOR. STOCK CODE 4008-190



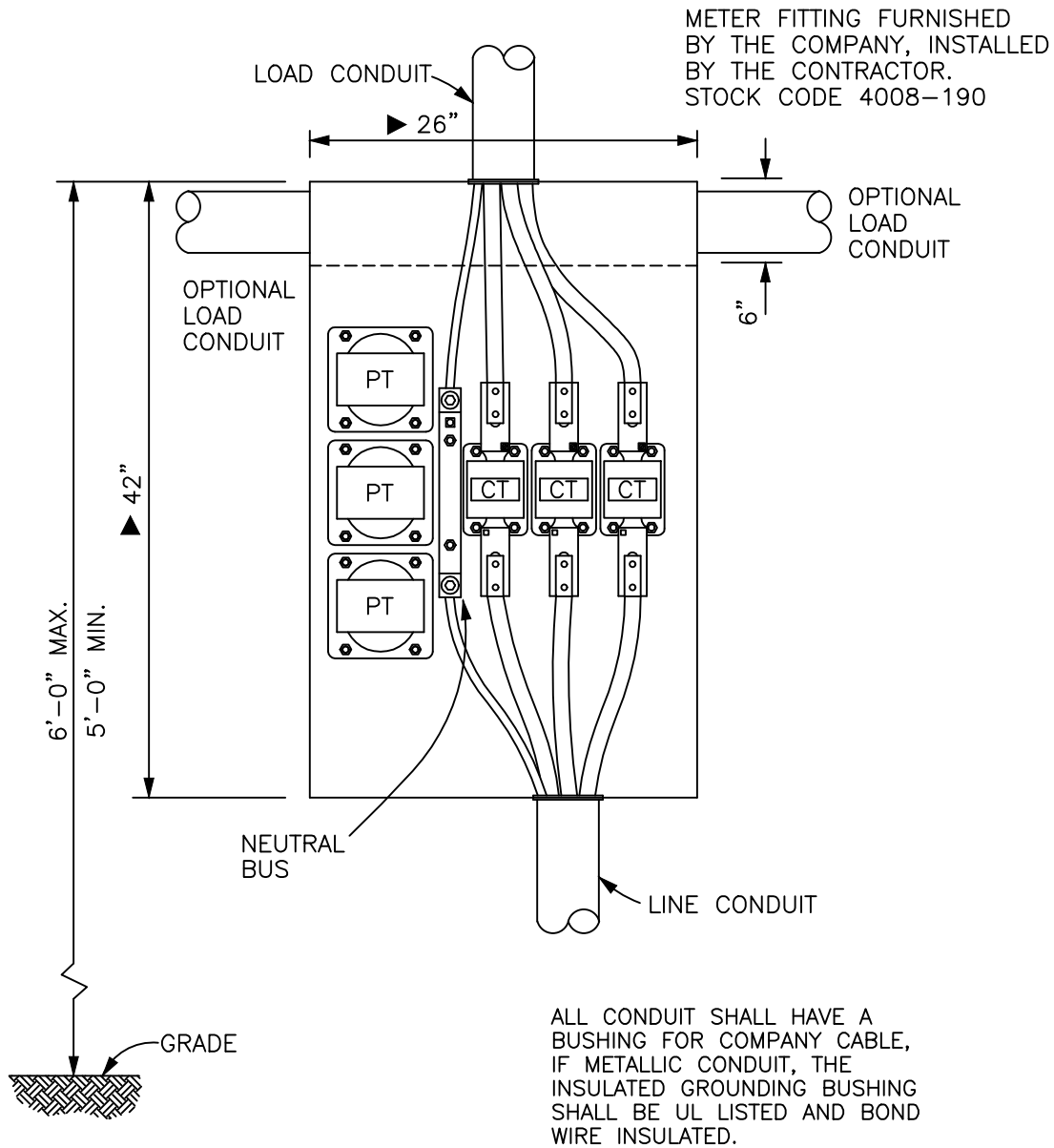
ALL CONDUIT SHALL HAVE A BUSHING FOR COMPANY CABLE, IF METALLIC CONDUIT, THE INSULATED GROUNDING BUSHING SHALL BE UL LISTED AND BOND WIRE INSULATED.

NOTES :

1. USE CENTER KNOCKOUT FOR LINE CONDUIT.
2. IF EXPOSED TO VEHICULAR TRAFFIC, CUSTOMER SHALL PROVIDE AND INSTALL PROTECTIVE POSTS, AS APPROVED BY THE COMPANY.
3. NO ACCESS PERMITTED THROUGH THE BACK OF CABINET

**OUTDOOR METERING,  
OVERHEAD OR TROUGH INSTALLATIONS  
277/480 VOLT, 3 PHASE, 4 WIRE  
250 A TO 400 A SERVICE**

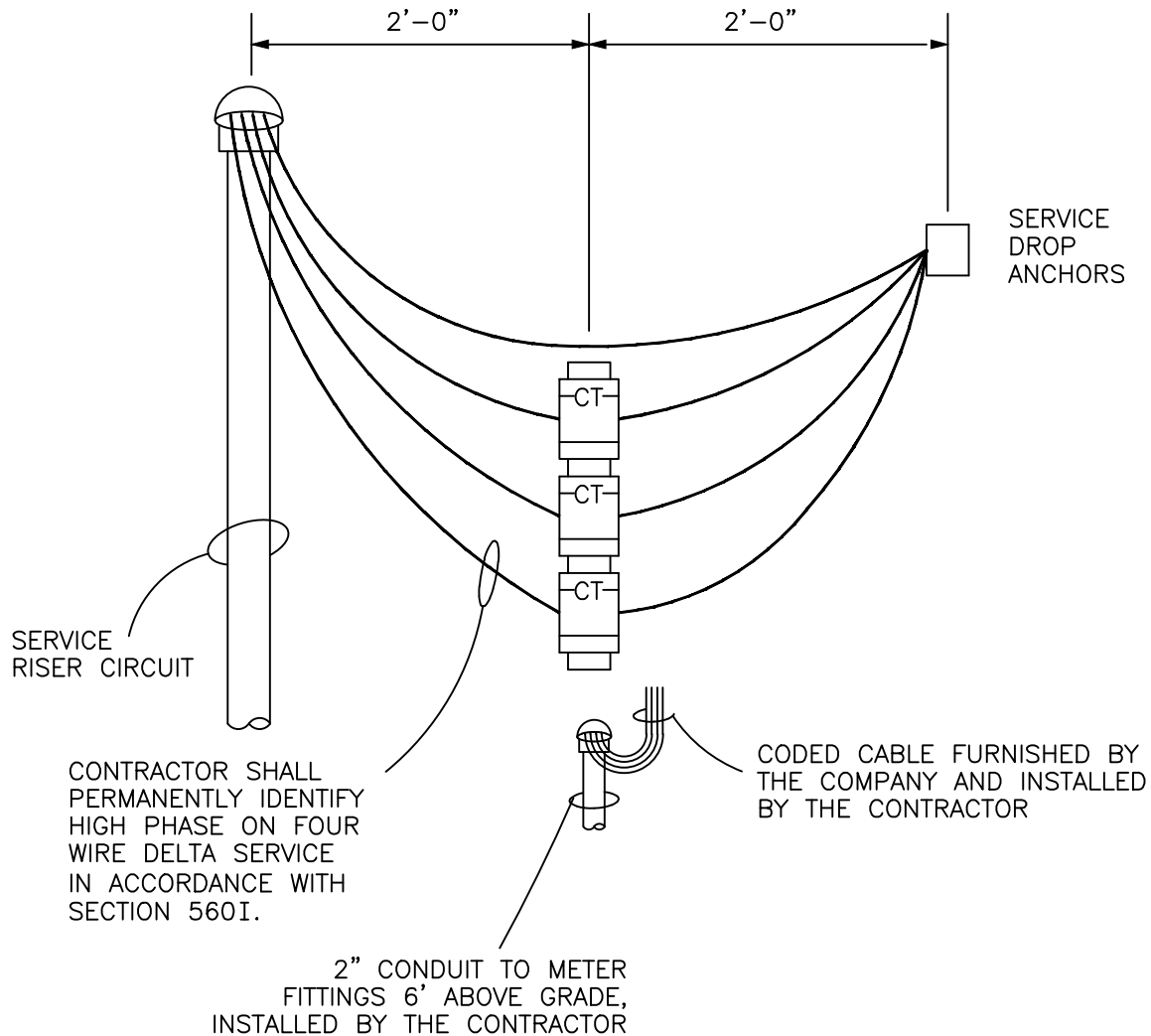




NOTES :

1. USE CENTER KNOCKOUT FOR LINE CONDUIT.
2. IF EXPOSED TO VEHICULAR TRAFFIC, CUSTOMER SHALL PROVIDE AND INSTALL PROTECTIVE POSTS, AS APPROVED BY THE COMPANY.
3. NO ACCESS PERMITTED THROUGH THE BACK OF CABINET

**OUTDOOR METERING,  
UNDERGROUND INSTALLATION  
277/480 VOLT, 3 PHASE, 4 WIRE  
250 A TO 400 A SERVICE**



TO METER FITTING  
 (FOR DETAILS ON 120/240V & 120/208V SEE DRAWINGS GB3-032  
 ON 277/480V SEE DRAWING GB3-033)

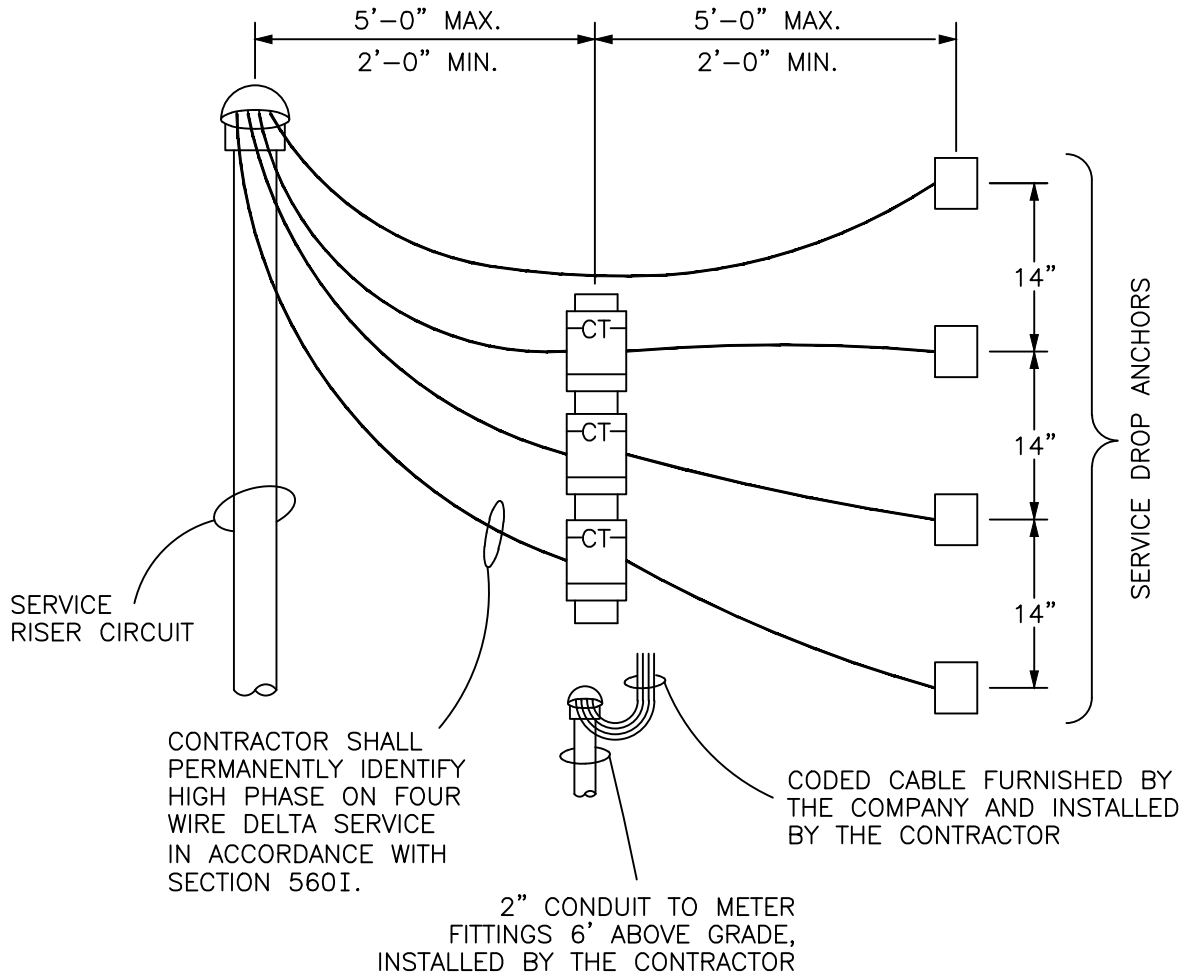
NOTES:

1. THE COMPANY WILL FURNISH CURRENT TRANSFORMERS MOUNTED ON A CHANNEL FOR THE CONTRACTOR TO INSTALL.
- ▶ 2. THE USE OF CONDUIT BODIES (CONDULETS) WITH REMOVABLE COVERS IS PROHIBITED FOR METERING CABLE.

**OUTDOOR METERING  
 OVERHEAD INSTALLATION  
 WALL MOUNTED  
 120/240 VOLT, 1 PHASE, 3 WIRE  
 120/208 VOLT, 3 PHASE, 4 WIRE  
 120/240 VOLT, 3 PHASE, 4 WIRE  
 277/480 VOLT, 3 PHASE, 4 WIRE  
 0 A TO 400 A SERVICE**

**277/480 VOLT, 1 PHASE, 3 WIRE**

(INTERSTATE LIGHTS ONLY)



TO METER FITTING  
 (FOR DETAILS ON 120/240V AND 120/208V SEE DRAWING GB3-032  
 ON 277/480V SEE DRAWING GB3-033)

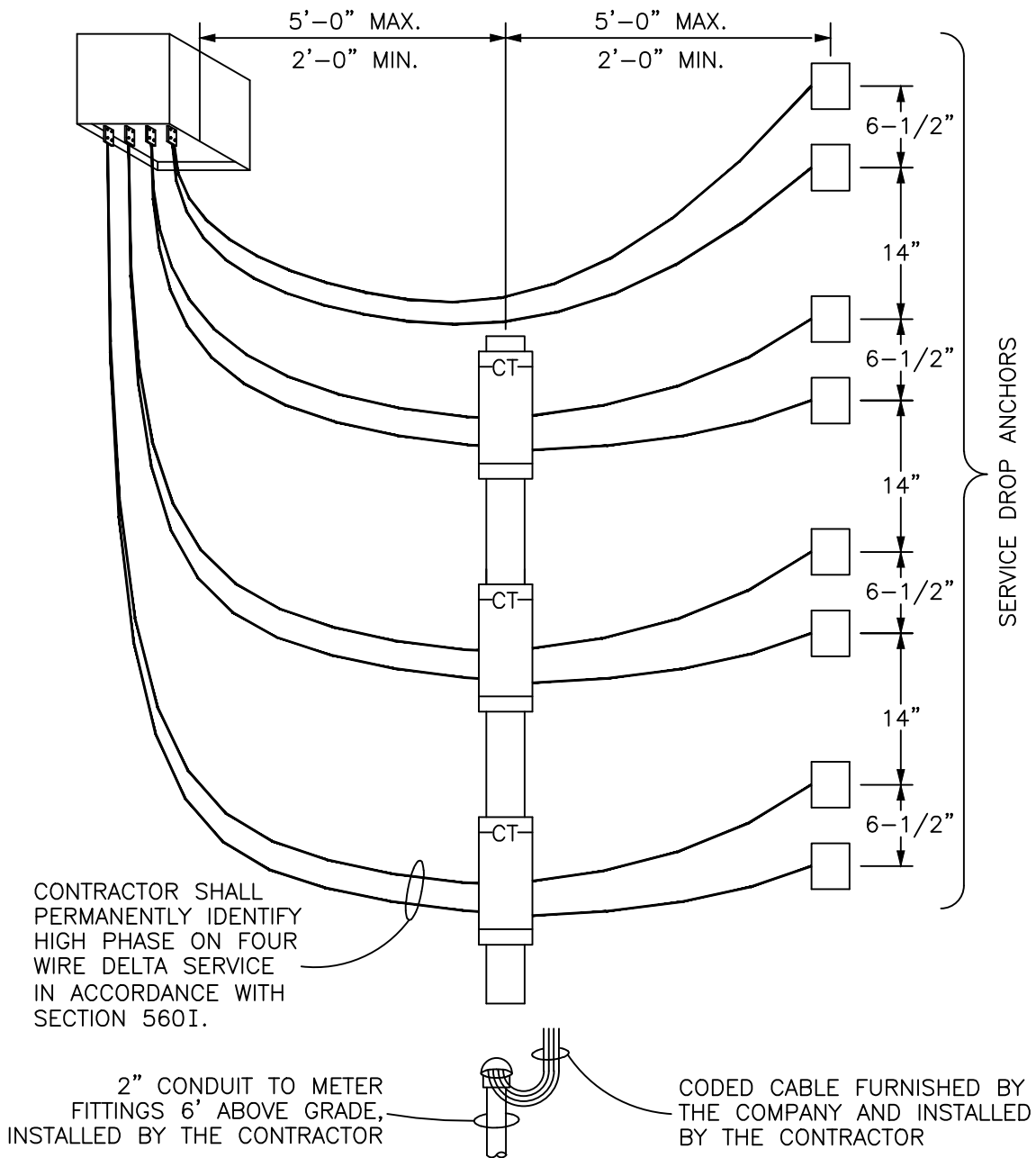
NOTES:

1. THE COMPANY WILL FURNISH CURRENT TRANSFORMERS MOUNTED ON A CHANNEL FOR THE CONTRACTOR TO INSTALL.
2. SEE SEC. 205B FOR 240V SINGLE PHASE REQUIREMENTS.
- ▶ 3. THE USE OF CONDUIT BODIES (CONDULETS) WITH REMOVABLE COVERS IS PROHIBITED FOR METERING CABLE.

**OUTDOOR METERING  
 OVERHEAD INSTALLATION  
 WALL MOUNTED**

**120/240 VOLT, 1 PHASE, 3 WIRE  
 120/208 VOLT, 3 PHASE, 4 WIRE  
 120/240 VOLT, 3 PHASE, 4 WIRE  
 277/480 VOLT, 3 PHASE, 4 WIRE  
 401 A TO 1600 A SERVICE**

**277/480 VOLT, 1 PHASE, 3 WIRE**  
 (INTERSTATE LIGHTS ONLY)



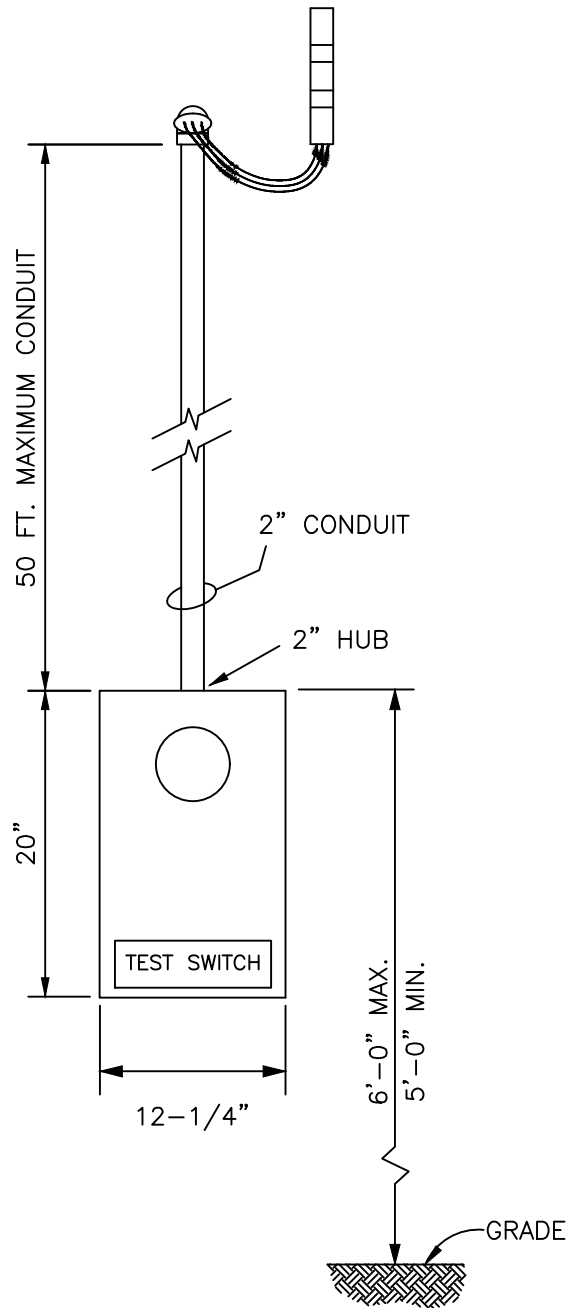
TO METER FITTING  
(FOR DETAILS ON 120/240V AND 120/208V SEE DRAWING GB3-032  
ON 277/480V SEE DRAWING GB3-033)

NOTES:

1. THE COMPANY WILL FURNISH CURRENT TRANSFORMERS MOUNTED ON A CHANNEL FOR THE CONTRACTOR TO INSTALL.
- ▶ 2. THE USE OF CONDUIT BODIES (CONDULETS) WITH REMOVABLE COVERS IS PROHIBITED FOR METERING CABLE.

**OUTDOOR METERING  
OVERHEAD INSTALLATION  
WALL MOUNTED**

**120/208 VOLT, 3 PHASE, 4 WIRE  
120/240 VOLT, 3 PHASE, 4 WIRE  
277/480 VOLT, 3 PHASE, 4 WIRE  
1601 A TO 3000 A SERVICE**



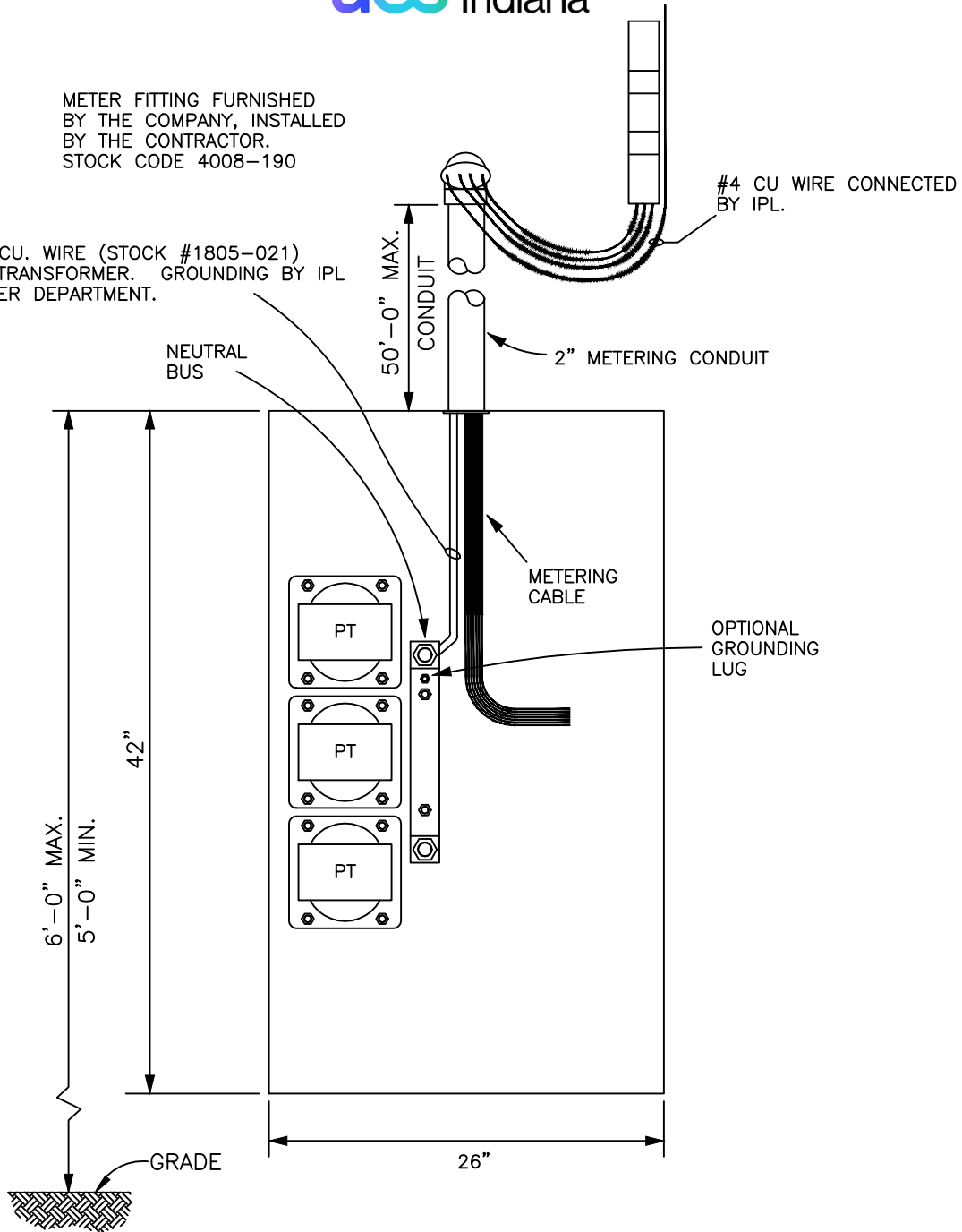
NOTES:

1. METER CABINET STOCK CODE #4008-321 FURNISHED BY THE COMPANY AND INSTALLED BY THE CONTRACTOR, WIRED BY IPL.
- ▶ 2. THE USE OF CONDUIT BODIES (CONDULETS) WITH REMOVABLE COVERS IS PROHIBITED FOR METERING CABLE.

**OUTDOOR METERING CABINET  
TRANSFORMER RATED  
OVERHEAD INSTALLATION**

METER FITTING FURNISHED  
BY THE COMPANY, INSTALLED  
BY THE CONTRACTOR.  
STOCK CODE 4008-190

#4 CU. WIRE (STOCK #1805-021)  
TO TRANSFORMER. GROUNDING BY IPL  
METER DEPARTMENT.

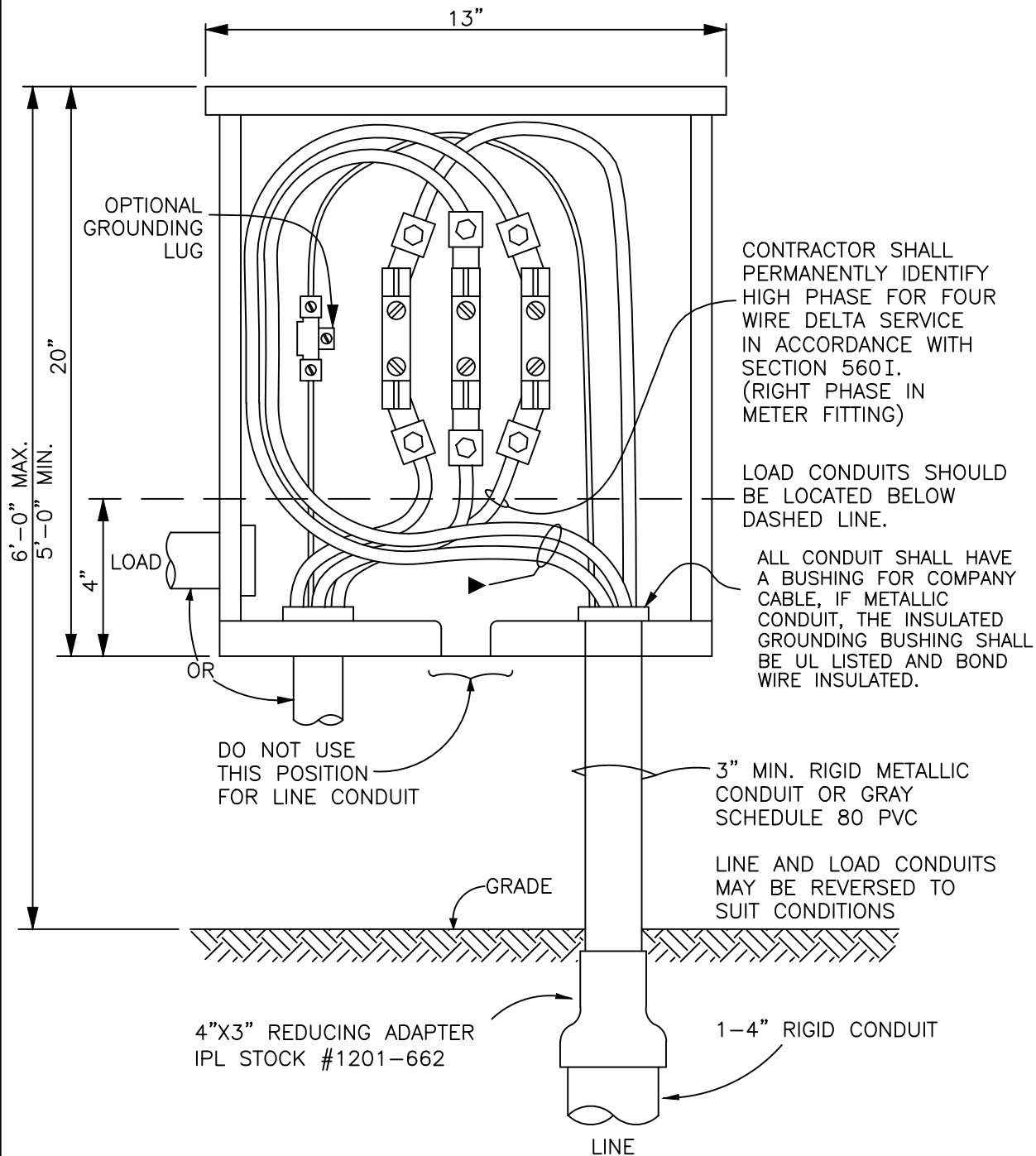


NOTES:

1. USE CENTER KNOCKOUT FOR LINE CONDUIT.
2. IF EXPOSED TO VEHICULAR TRAFFIC, CUSTOMER SHALL PROVIDE AND INSTALL PROTECTIVE POSTS, AS APPROVED BY THE COMPANY.
3. CONTRACTOR SHALL INSTALL BOTH THE SUPPLIED METER CABLE AND THE 4 CU AWG GROUNDING WIRE BETWEEN THE TRANSFORMER AND METER CABINET.
- ▶ 4. THE USE OF CONDUIT BODIES (CONDULETS) WITH REMOVABLE COVERS IS PROHIBITED FOR METERING CABLE.

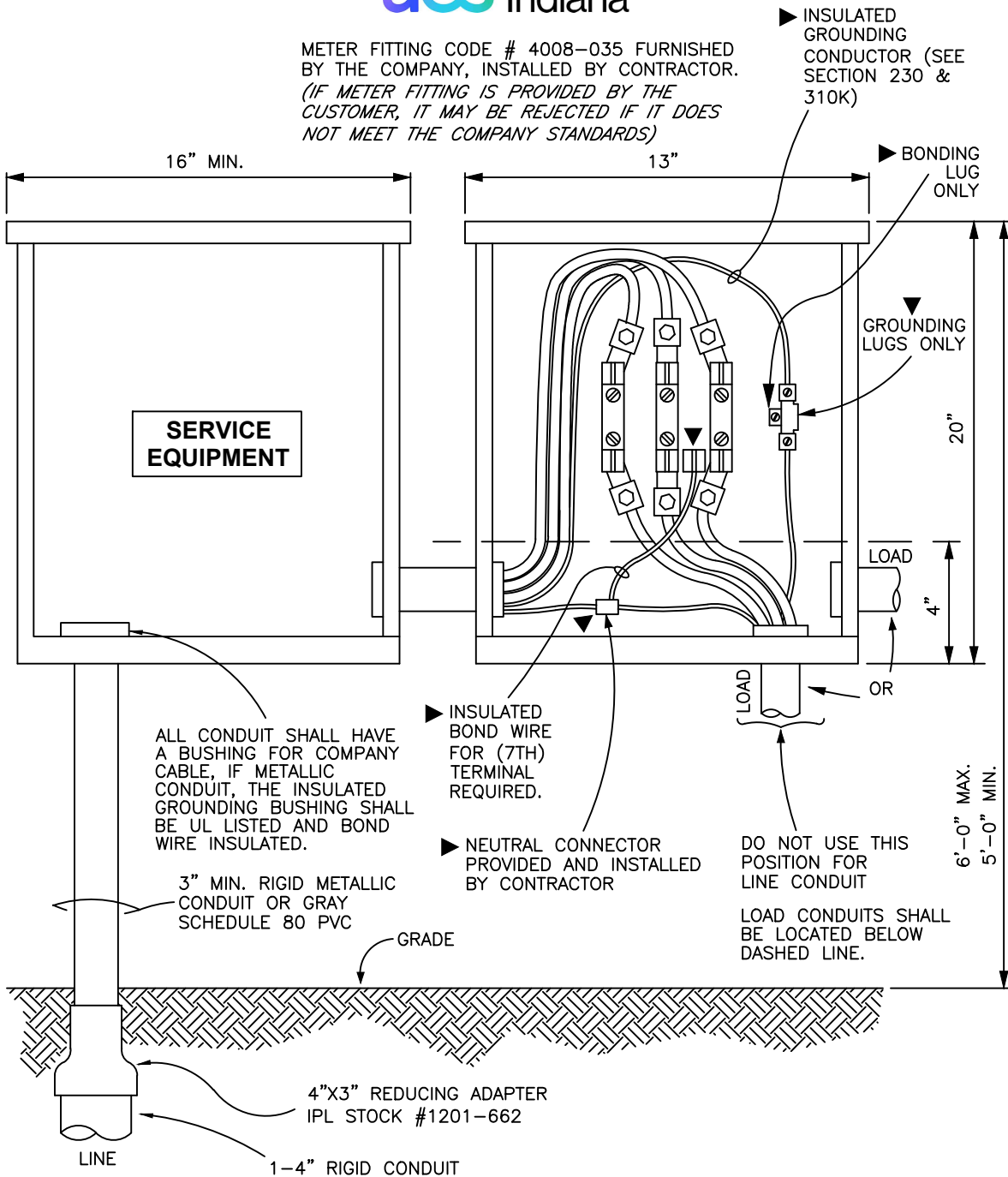
## OUTDOOR METERING, OVERHEAD INSTALLATION, PT'S IN THE METER FITTING

METER FITTING CODE # 4008-035  
 FURNISHED BY THE COMPANY,  
 INSTALLED BY CONTRACTOR.  
 (IF METER FITTING IS PROVIDED BY THE  
 CUSTOMER, IT MAY BE REJECTED IF IT  
 DOES NOT MEET THE COMPANY STANDARDS)



**200 A METER FITTING  
 UNDERGROUND INSTALLATION  
 120/208 VOLT, 3 PHASE, 4 WIRE  
 120/240 VOLT, 3 PHASE, 4 WIRE  
 225 A MAXIMUM SERVICE**

METER FITTING CODE # 4008-035 FURNISHED BY THE COMPANY, INSTALLED BY CONTRACTOR. (IF METER FITTING IS PROVIDED BY THE CUSTOMER, IT MAY BE REJECTED IF IT DOES NOT MEET THE COMPANY STANDARDS)

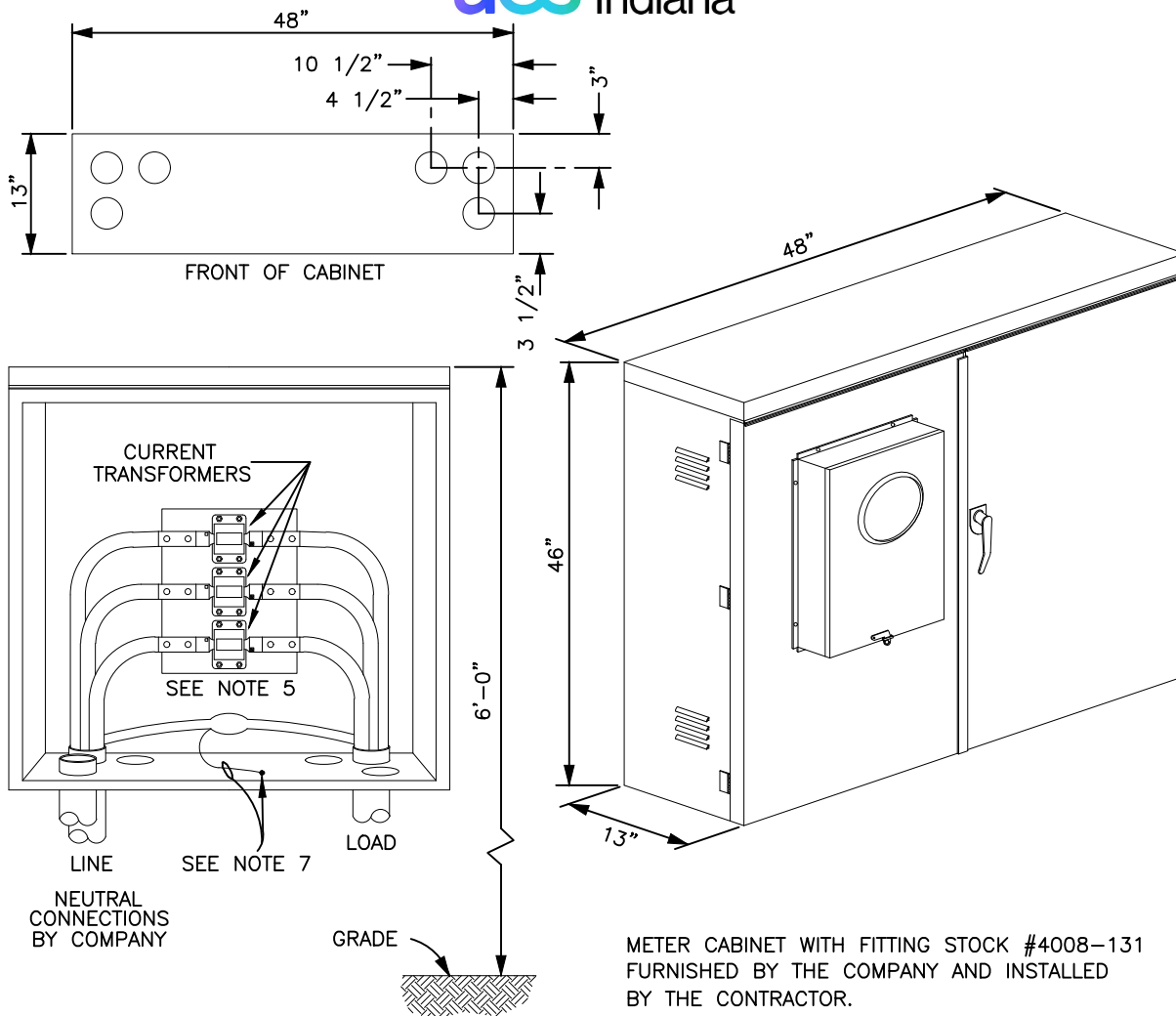


NOTES:

- ▶ 1. CUSTOMER SHALL MAKE THE FINAL CONNECTIONS ON THE LOAD SIDE OF THE SERVICE DISCONNECT AND IN THE METER FITTING.
- ▶ 2. THE LINE AND LOAD CONDUCTORS IN THE SERVICE EQUIPMENT AND METER FITTING SHALL NOT CROSS.
3. THE SERVICE EQUIPMENT SHALL BE PERMANENTLY LABELED BY THE CUSTOMER, "SERVICE EQUIPMENT".
4. ALL 277/480 VOLT METER FITTINGS SHALL BE IN COLD SEQUENCE, SEE SECTION 550A7 FOR THE DEFINITION, AND THE SERVICE DISCONNECT SHALL BE IN A LOCKABLE ENCLOSURE.
- ▶ 5. THE SERVICE CABLE FROM IPL IS NORMALLY 4/0 AL., ALLOW PROPER WIRE BENDING SPACE FOR THIS CABLE.

**200 A METER FITTING  
UNDERGROUND INSTALLATION  
277/480 VOLT, 3 PHASE, 4 WIRE  
225 A MAXIMUM SERVICE**



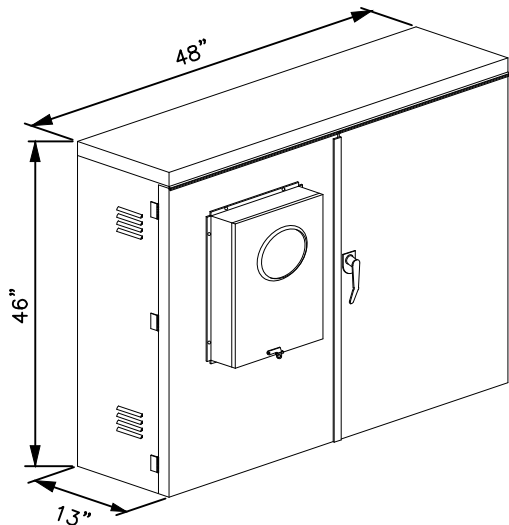
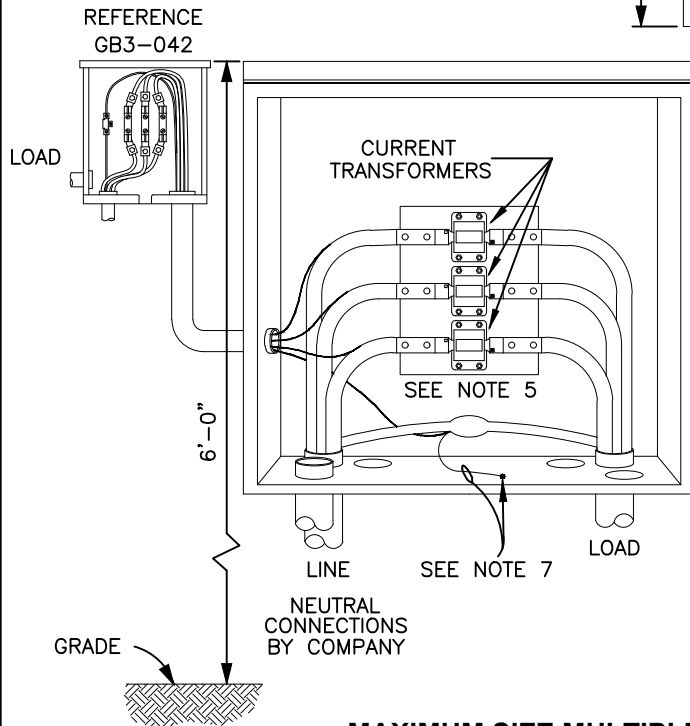
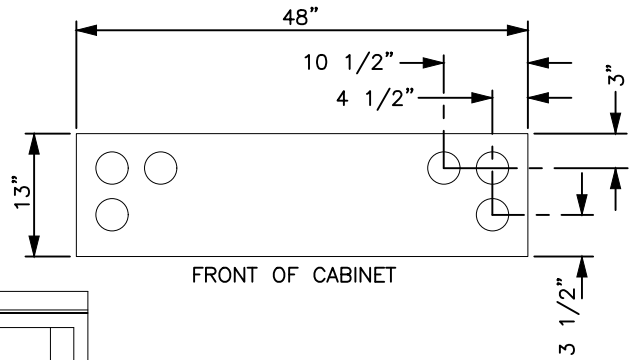


NOTES:

1. CONDUIT FROM SELF-CONTAINED METER FITTING MUST ENTER THE BOTTOM 24" OF THE METER CABINET AND BE FED FROM THE LINE SIDE OF THE CT's.
2. LINE AND LOAD CONDUITS MAY BE REVERSED TO SUIT CONDITIONS.
3. CONDUIT SHALL NOT ENTER BACK OF CABINET. USE KNOCKOUTS IN BOTTOM OF METER CABINET ADJACENT TO SIDES.
4. CONTRACTOR SHALL FURNISH AND INSTALL THE SERVICE CABLES AND CONDUIT FROM SELF-CONTAINED METER FITTING TO THE METER CABINET. LINE SIDE CURRENT TRANSFORMER CONNECTIONS AND ALL NEUTRAL CONNECTIONS SHALL BE MADE BY THE COMPANY.
5. CONTRACTOR SHALL PERMANENTLY IDENTIFY HIGH PHASE FOR FOUR WIRE DELTA SERVICE IN ACCORDANCE WITH SECTION 560 . HIGH PHASE SHALL BE CONNECTED TO BOTTOM CURRENT TRANSFORMER AND RIGHT PHASE IN SELF-CONTAINED METER FITTING.
6. METERING TRANSFORMERS FURNISHED BY THE COMPANY, INSTALLED BY THE CONTRACTOR.
- ▶ 7. BONDING LUG AND 18 INCHES OF INSULATED 2/0 AWG MINIMUM COPPER CONDUCTOR SHALL BE PROVIDED AND INSTALLED BY THE ELECTRICAL CONTRACTOR.
8. METER CABINET SHALL BE TRUCK ACCESSIBLE. IF EXPOSED TO VEHICULAR TRAFFIC, CUSTOMER SHALL PROVIDE AND INSTALL PROTECTIVE POSTS, AS APPROVED BY THE COMPANY.
9. ALL CONDUIT SHALL HAVE A BUSHING FOR COMPANY CABLE, IF METALLIC CONDUIT, THE INSULATED GROUNDING BUSHING SHALL BE U.L. LISTED AND BOND WIRE INSULATED.

**OUTDOOR METERING  
UNDERGROUND INSTALLATION  
120/208, or 120/240 VOLT, 3 PHASE, 4 WIRE  
500 A TO 1200 A SERVICE**

METER CABINET STOCK #4008-131 AND METER FITTING #4008-035=200A FURNISHED BY THE COMPANY AND INSTALLED BY THE CONTRACTOR.



**MAXIMUM SIZE MULTIPLE SERVICES**

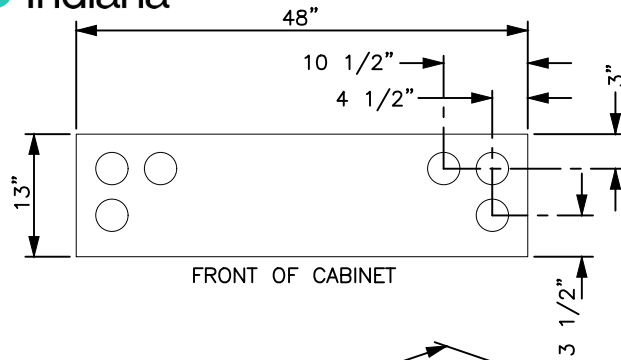
120/208 OR 120/240 V

1-100 A AND 1-800 A      1-200 A AND 1-800 A  
 1-100 A AND 1-1000 A    1-200 A AND 1-1000 A

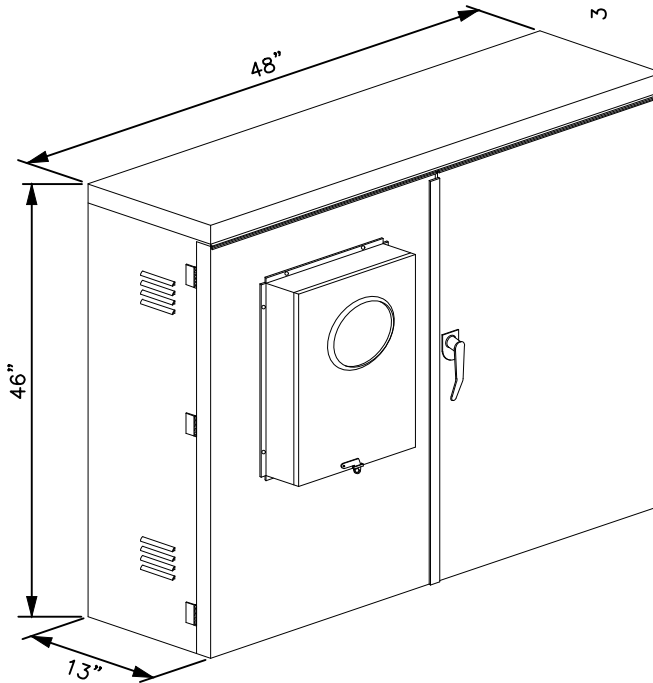
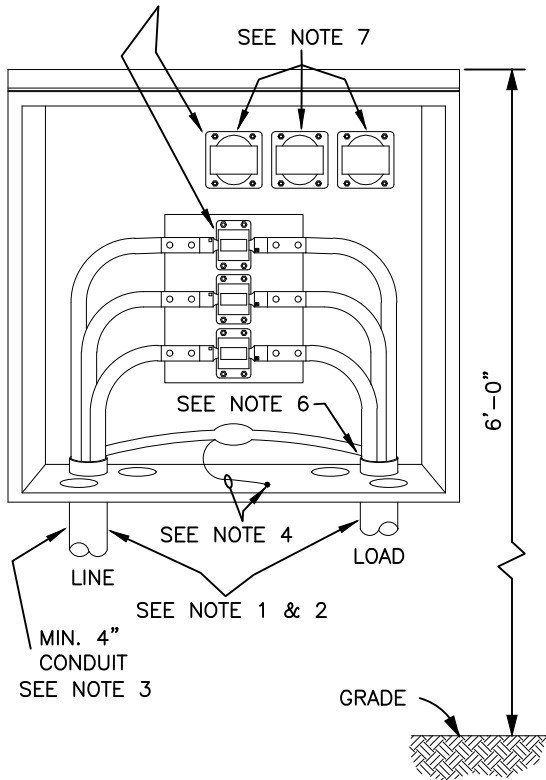
NOTES:

1. CONDUIT FROM SELF-CONTAINED METER FITTING MUST ENTER THE BOTTOM 24" OF THE METER CABINET AND BE FED FROM THE LINE SIDE OF THE CT's.
2. LINE AND LOAD CONDUITS MAY BE REVERSED TO SUIT CONDITIONS.
3. CONDUIT SHALL NOT ENTER BACK OF CABINET. USE KNOCKOUTS IN BOTTOM OF METER CABINET ADJACENT TO SIDES.
4. CONTRACTOR SHALL FURNISH AND INSTALL THE SERVICE CABLES AND CONDUIT FROM SELF-CONTAINED METER FITTING TO THE METER CABINET. LINE SIDE CURRENT TRANSFORMER CONNECTIONS AND ALL NEUTRAL CONNECTIONS SHALL BE MADE BY THE COMPANY.
5. CONTRACTOR SHALL PERMANENTLY IDENTIFY HIGH PHASE FOR FOUR WIRE DELTA SERVICE. HIGH PHASE SHALL BE CONNECTED TO BOTTOM CURRENT TRANSFORMER AND RIGHT PHASE IN SELF-CONTAINED METER FITTING.
6. METERING TRANSFORMERS FURNISHED BY THE COMPANY, INSTALLED BY THE CONTRACTOR.
- ▶ 7. BONDING LUG AND 18 INCHES OF INSULATED 2/0 AWG MINIMUM COPPER CONDUCTOR SHALL BE PROVIDED AND INSTALLED BY THE ELECTRICAL CONTRACTOR.
8. METER CABINET SHALL BE TRUCK ACCESSIBLE. IF EXPOSED TO VEHICULAR TRAFFIC, CUSTOMER SHALL PROVIDE AND INSTALL PROTECTIVE POSTS, AS APPROVED BY THE COMPANY.
9. THE CURRENT TRANSFORMER MOUNTING BRACKETS SHALL BE BUTTED AGAINST EACH OTHER. TOP C.T. SHALL BE AT 30".
10. ALL CONDUIT SHALL HAVE A BUSHING FOR COMPANY CABLE, IF METALLIC CONDUIT, THE INSULATED GROUNDING BUSHING SHALL BE U.L. LISTED AND BOND WIRE INSULATED.

**OUTDOOR METERING,  
 UNDERGROUND INSTALLATION  
 120/208 or 120/240 VOLT, 3 PHASE, 4 WIRE  
 500 A TO 1200 A SERVICE**



CURRENT TRANSFORMERS AND  
POTENTIAL TRANSFORMERS  
FURNISHED BY THE COMPANY,  
INSTALLED BY THE CONTRACTOR



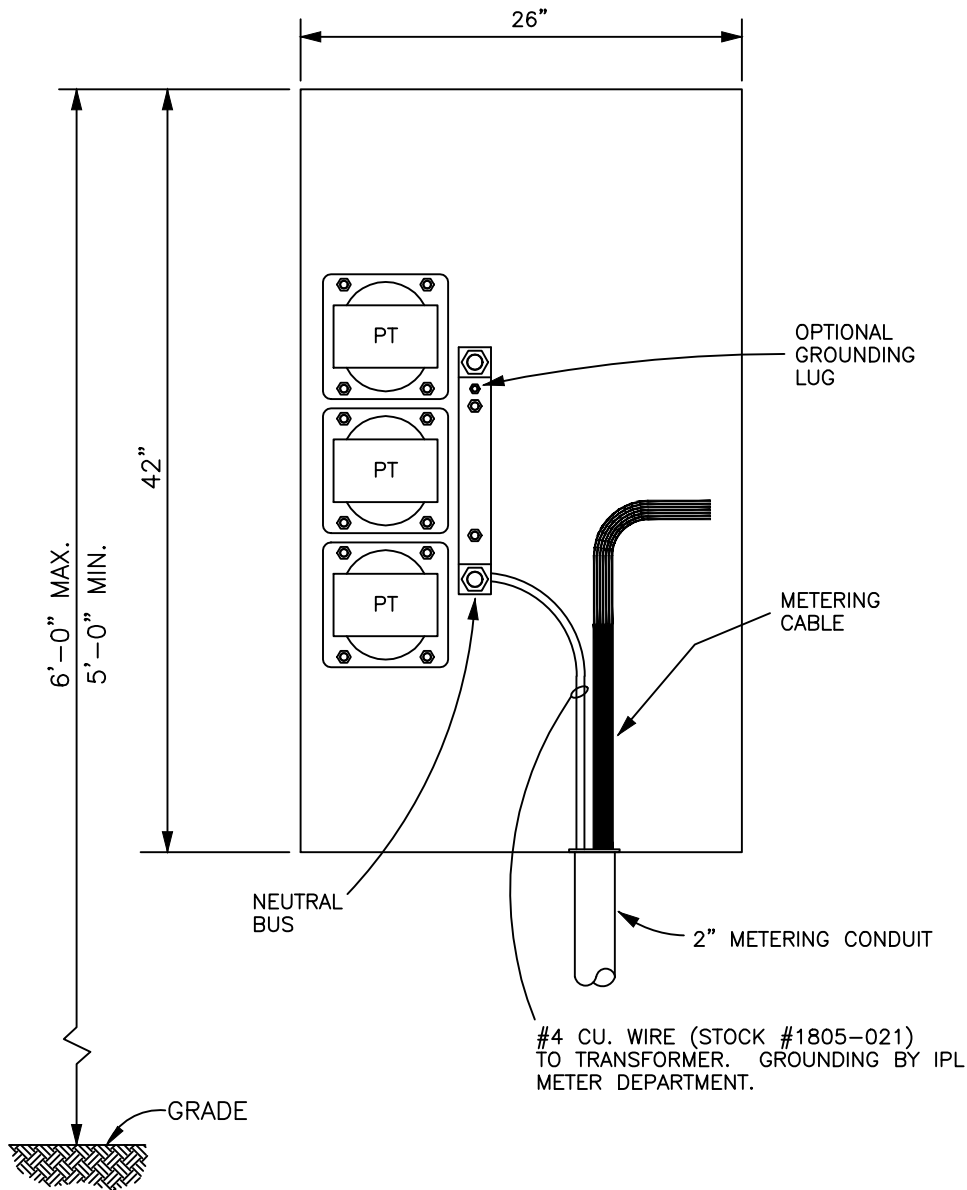
METER CABINET WITH FITTING  
STOCK CODE # 4008-131  
FURNISHED BY THE COMPANY  
AND INSTALLED BY THE  
CONTRACTOR.

NOTES:

1. LINE AND LOAD CONDUITS MAY BE REVERSED TO SUIT CONDITIONS.
2. CONDUITS SHALL NOT ENTER BACK OF METER CABINET. USE KNOCKOUT IN BOTTOM OF METER CABINET ADJACENT TO SIDES.
3. 1-4" LINE CONDUIT REQUIRED FOR SERVICES FROM 250 A TO 400 A.  
2-4" LINE CONDUITS REQUIRED FOR SERVICES FROM 450 A TO 800 A.  
3-4" LINE CONDUITS REQUIRED FOR SERVICES FROM 900 A TO 1200 A.
4. BONDING LUG AND 18 INCHES OF INSULATED 2/0 AWG MINIMUM COPPER CONDUCTOR SHALL BE PROVIDED AND INSTALLED BY THE ELECTRICAL CONTRACTOR.
5. METER CABINET SHALL BE TRUCK ACCESSIBLE. IF EXPOSED TO VEHICULAR TRAFFIC, CUSTOMER SHALL PROVIDE AND INSTALL PROTECTIVE POSTS, AS APPROVED BY THE COMPANY.
- ▶ 6. LINE CONDUITS SHALL HAVE A BUSHING FOR COMPANY CABLE, IF METALLIC CONDUIT, THE INSULATED GROUNDING BUSHING SHALL BE U.L. LISTED AND BOND WIRE INSULATED.
7. INSTALL POTENTIAL TRANSFORMERS WITH PRIMARY ON BOTTOM (H1,H2) AND SECONDARY ON TOP (X1, X2).

**OUTDOOR METERING,  
UNDERGROUND INSTALLATION  
277/480 VOLT 3 PHASE, 4 WIRE  
250 A TO 1200 A SERVICE**

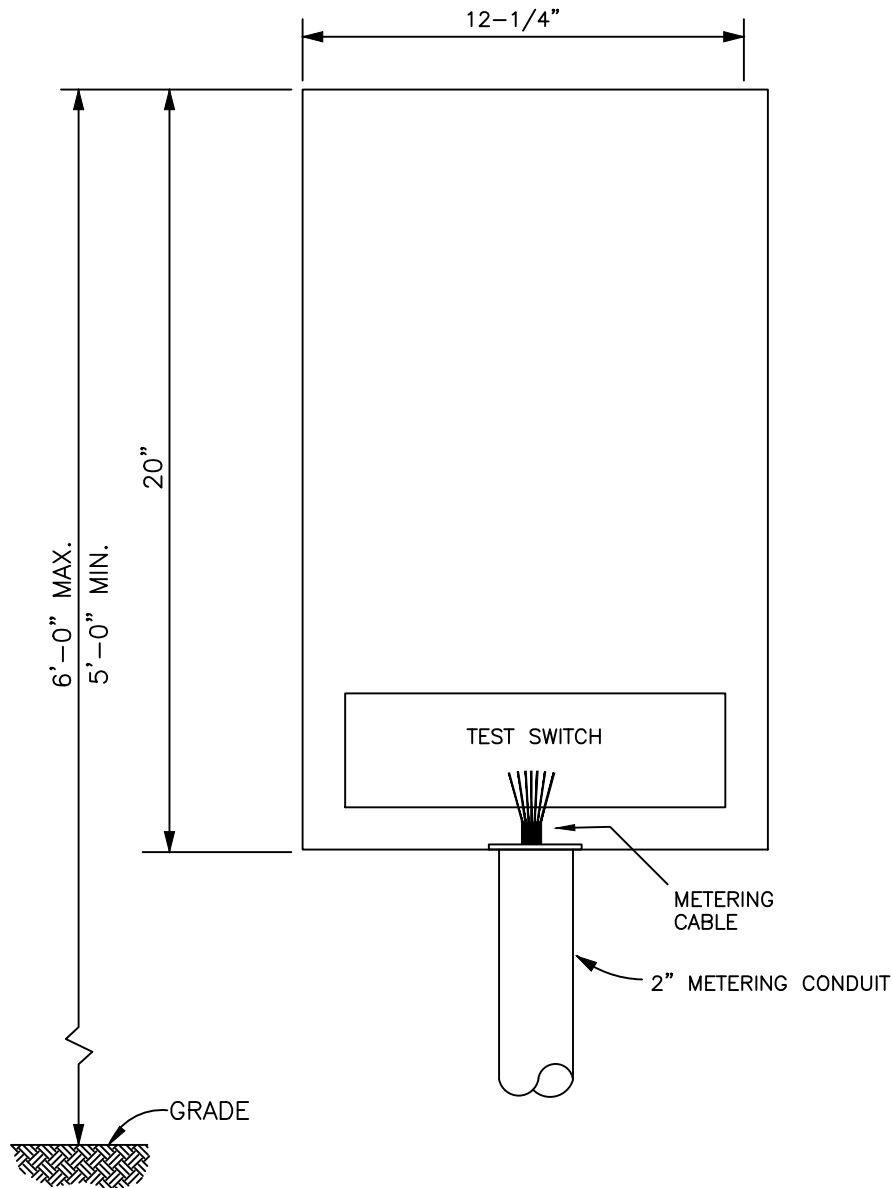
METER FITTING FURNISHED  
BY THE COMPANY, INSTALLED  
BY THE CONTRACTOR.  
STOCK CODE 4008-190



NOTES:

1. USE CENTER KNOCKOUT FOR LINE CONDUIT.
2. IF EXPOSED TO VEHICULAR TRAFFIC, CUSTOMER SHALL PROVIDE AND INSTALL PROTECTIVE POSTS, AS APPROVED BY THE COMPANY.
3. CONTRACTOR SHALL INSTALL BOTH THE SUPPLIED METER CABLE AND THE 4 CU AWG GROUNDING WIRE BETWEEN THE TRANSFORMER AND METER CABINET.
4. SEE GB5-110 FOR METER CABINET SUPPORTING STRUCTURE.
- ▶ 5. THE USE OF CONDUIT BODIES (CONDULETS) WITH REMOVABLE COVERS IS PROHIBITED FOR METERING CABLE.

**OUTDOOR METERING,  
UNDERGROUND INSTALLATION,  
TRANSFORMER MOUNTED CT's ONLY  
277/480 VOLT, 3 PHASE, 4 WIRE  
450 A TO 3000 A SERVICE**

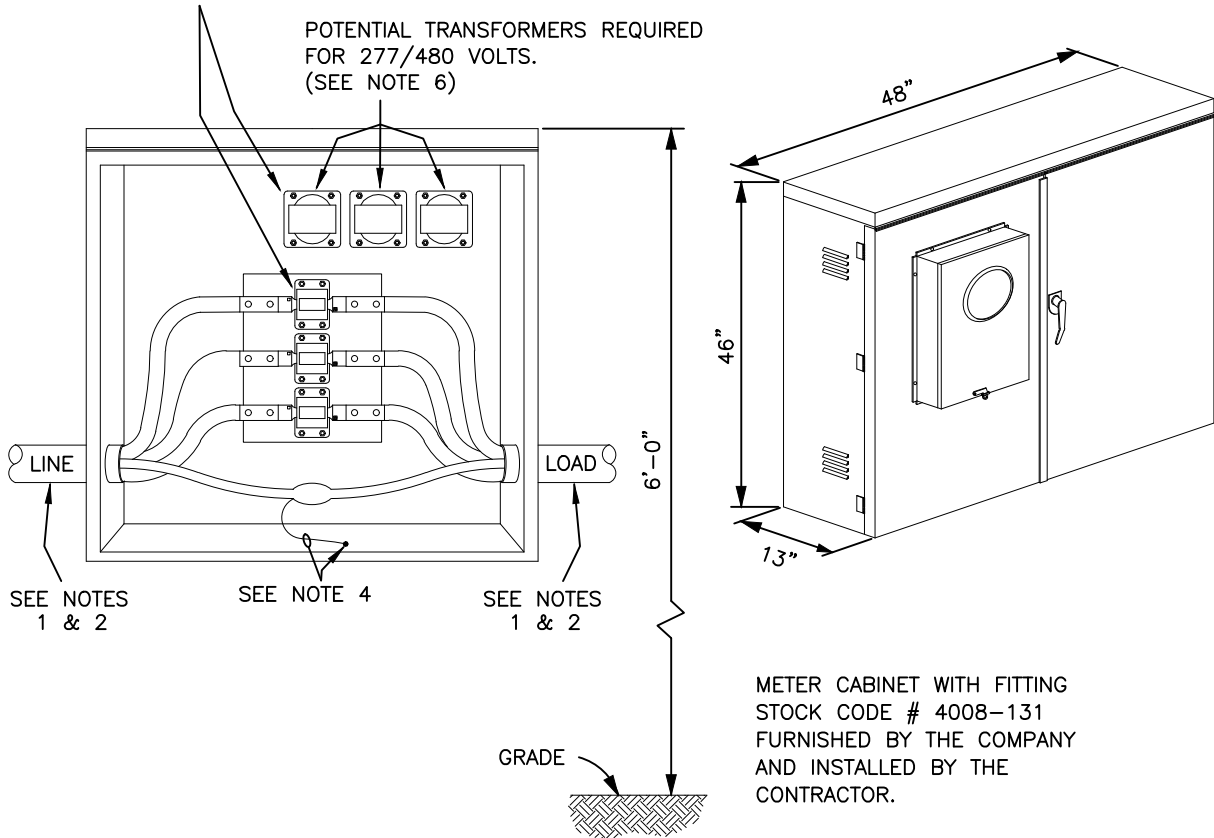


## NOTES:

1. USE CENTER KNOCKOUT FOR LINE CONDUIT.
2. IF EXPOSED TO VEHICULAR TRAFFIC, CUSTOMER SHALL PROVIDE AND INSTALL PROTECTIVE POSTS, AS APPROVED BY THE COMPANY.
3. CONTRACTOR SHALL INSTALL THE SUPPLIED METER CABLE BETWEEN THE TRANSFORMER AND METER CABINET.
4. SEE GB5-110 FOR METER CABINET SUPPORTING STRUCTURE.
5. ALL WIRING IN METER FITTING BY IPL.
- ▶ 6. THE USE OF CONDUIT BODIES (CONDULETS) WITH REMOVABLE COVERS IS PROHIBITED FOR METERING CABLE.

**OUTDOOR METERING,  
UNDERGROUND INSTALLATION,  
TRANSFORMER MOUNTED CT's ONLY  
120/208 VOLT, 3 PHASE, 4 WIRE  
450 A TO 3000 A SERVICE**

CURRENT TRANSFORMERS AND  
POTENTIAL TRANSFORMERS  
FURNISHED BY THE COMPANY,  
INSTALLED BY THE CONTRACTOR

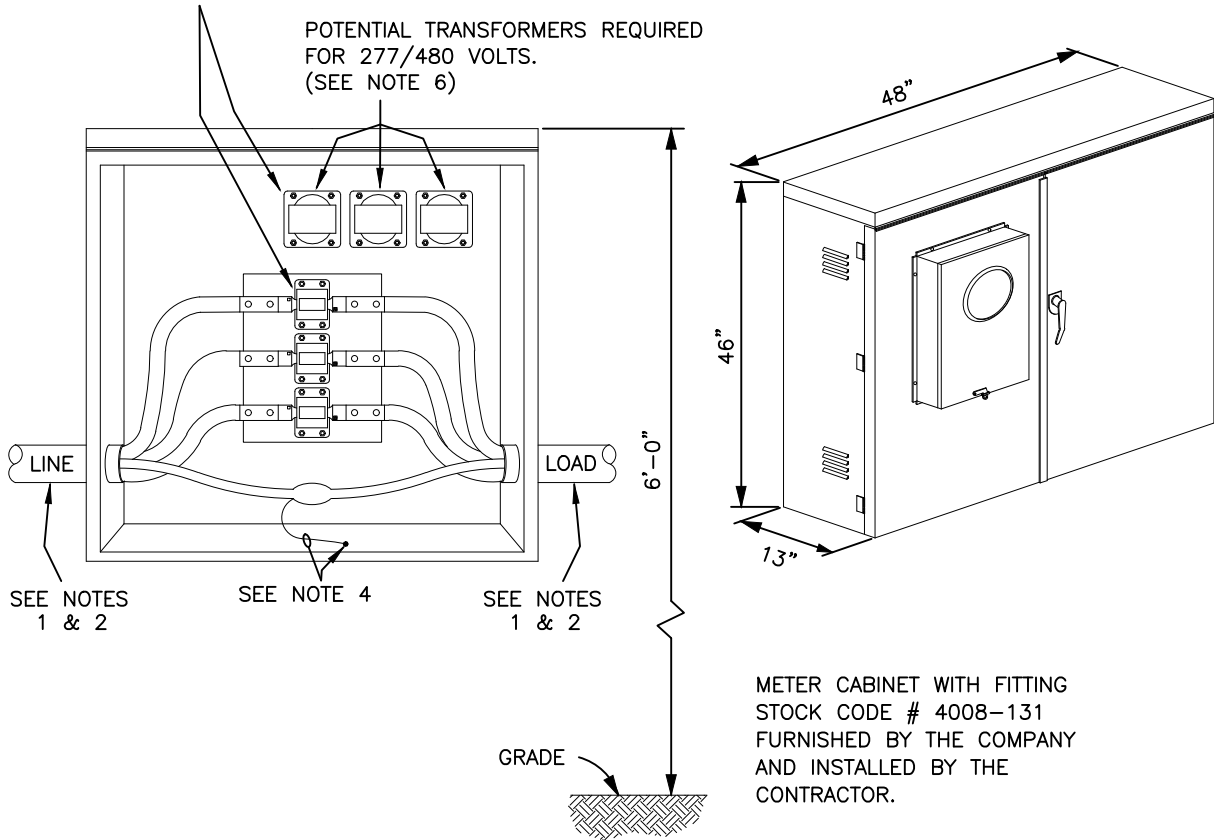


NOTES:

1. LINE AND LOAD CONDUITS MAY BE REVERSED TO SUIT CONDITIONS.
2. CONDUITS SHALL NOT ENTER BACK OF METER CABINET. CONDUITS MAY BE INSTALLED ON THE SIDES BETWEEN THE VENTS. KNOCKOUTS IN BOTTOM OF METER CABINET ADJACENT TO SIDE MAY ALSO BE USED.
3. CONTRACTOR SHALL PERMANENTLY IDENTIFY HIGH PHASE FOR FOUR WIRE DELTA SERVICE IN ACCORDANCE WITH SECTION 560I, HIGH PHASE SHALL BE CONNECTED TO BOTTOM CURRENT TRANSFORMER.
- ▶ 4. BONDING LUG AND 18 INCHES OF INSULATED 2/0 AWG MINIMUM COPPER CONDUCTOR SHALL BE PROVIDED AND INSTALLED BY THE ELECTRICAL CONTRACTOR.
5. CUSTOMER SHALL FURNISH AND INSTALL PROTECTIVE POSTS, AS APPROVED BY THE COMPANY, WHERE SUBJECT TO DAMAGE.
6. INSTALL POTENTIAL TRANSFORMERS WITH PRIMARY ON BOTTOM (H1,H2) AND SECONDARY ON TOP (X1, X2).

**INDOOR METERING**  
**120/208 OR 120/240 VOLT, 3 PHASE, 4 WIRE**  
**277/480 VOLT, 3 PHASE, 4 WIRE**  
**250 A TO 1200 A SERVICE**

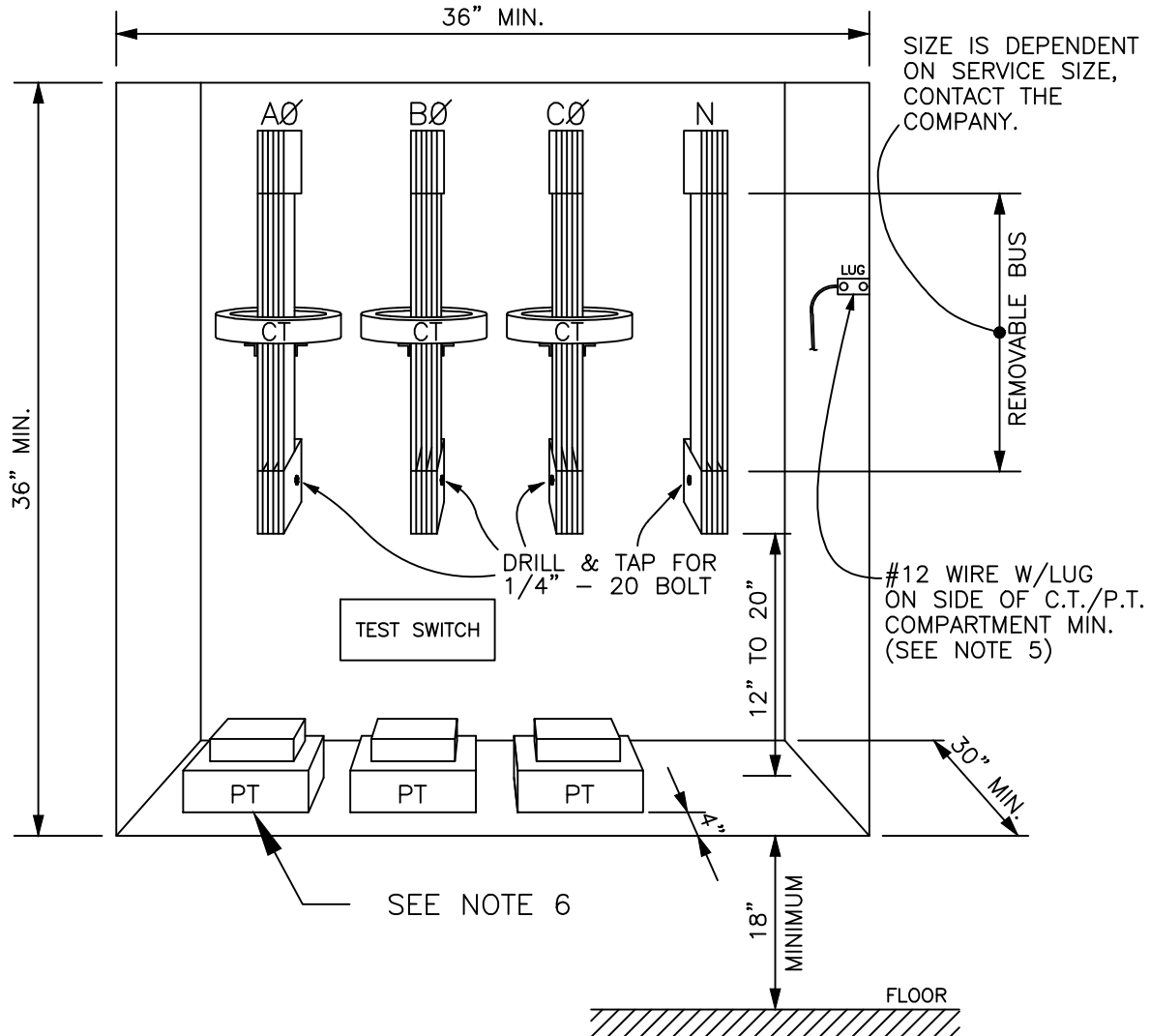
CURRENT TRANSFORMERS AND  
POTENTIAL TRANSFORMERS  
FURNISHED BY THE COMPANY,  
INSTALLED BY THE CONTRACTOR



NOTES:

1. LINE AND LOAD CONDUITS MAY BE REVERSED TO SUIT CONDITIONS.
2. CONDUITS SHALL NOT ENTER BACK OF METER CABINET. CONDUITS MAY BE INSTALLED ON THE SIDES BETWEEN THE VENTS. KNOCKOUTS IN BOTTOM OF METER CABINET ADJACENT TO SIDE MAY ALSO BE USED.
3. CONTRACTOR SHALL PERMANENTLY IDENTIFY HIGH PHASE FOR FOUR WIRE DELTA SERVICE IN ACCORDANCE WITH SECTION 560I, HIGH PHASE SHALL BE CONNECTED TO BOTTOM CURRENT TRANSFORMER.
- ▶ 4. BONDING LUG AND 18 INCHES OF INSULATED 2/0 AWG MINIMUM COPPER CONDUCTOR SHALL BE PROVIDED AND INSTALLED BY THE ELECTRICAL CONTRACTOR.
5. CUSTOMER SHALL FURNISH AND INSTALL PROTECTIVE POSTS, AS APPROVED BY THE COMPANY, WHERE SUBJECT TO DAMAGE.
6. INSTALL POTENTIAL TRANSFORMERS WITH PRIMARY ON BOTTOM (H1,H2) AND SECONDARY ON TOP (X1, X2).

**INDOOR METERING**  
**120/208 OR 120/240 VOLT, 3 PHASE, 4 WIRE**  
**277/480 VOLT, 3 PHASE, 4 WIRE**  
**250 A TO 1200 A SERVICE**



NOTES:

1. CT, PT AND CODED CONTROL CABLE FURNISHED BY THE COMPANY AND INSTALLED BY ELECTRICAL CONTRACTOR.
2. METERING CABINET FURNISHED BY THE COMPANY AND INSTALLED BY ELECTRICAL CONTRACTOR WITH A 1-1/4" CONTINUOUS CONDUIT FROM C.T./P.T. COMPARTMENT TO METER CABINET. METERING CABINET SHALL BE INSTALLED AT A REMOTE POINT IN A LOCATION AGREEABLE TO THE CUSTOMER AND THE COMPANY.
3. IDENTIFY C.T./P.T. COMPARTMENT WITH NAME PLATE OR STENCIL.
4. 480 VOLT SERVICES, FLOOR OF COMPARTMENT TO BE CAPABLE OF SUPPORTING 60 LBS. INDEFINITELY.
5. A NEUTRAL TAP MAY BE USED IN PLACE OF A NEUTRAL BUS USING #12 COPPER WIRE W/LUG FOR TERMINATION.
6. INSTALL P.T.'s WITH PRIMARY TO REAR AND SECONDARY TO THE FRONT.
7. METER COMPARTMENT DIMENSIONS MAY BE CHANGED ONLY UPON WRITTEN APPROVAL FROM THE COMPANY'S METER DEPARTMENT.
8. CONTRACTOR SHALL PERMANENTLY IDENTIFY HIGH PHASE FOR FOUR WIRE DELTA SERVICE IN ACCORDANCE WITH SECTION 560.
- ▶ 9. THE USE OF CONDUIT BODIES (CONDULETS) WITH REMOVABLE COVERS IS PROHIBITED FOR METERING CABLE.

**METERING COMPARTMENT  
FOR SWITCHGEAR  
120/240 or 120/208V or 277/480V**