



100/200 ampere, 600 V

(100A for up to 125 ampere service and 200A for up to 225 ampere service)

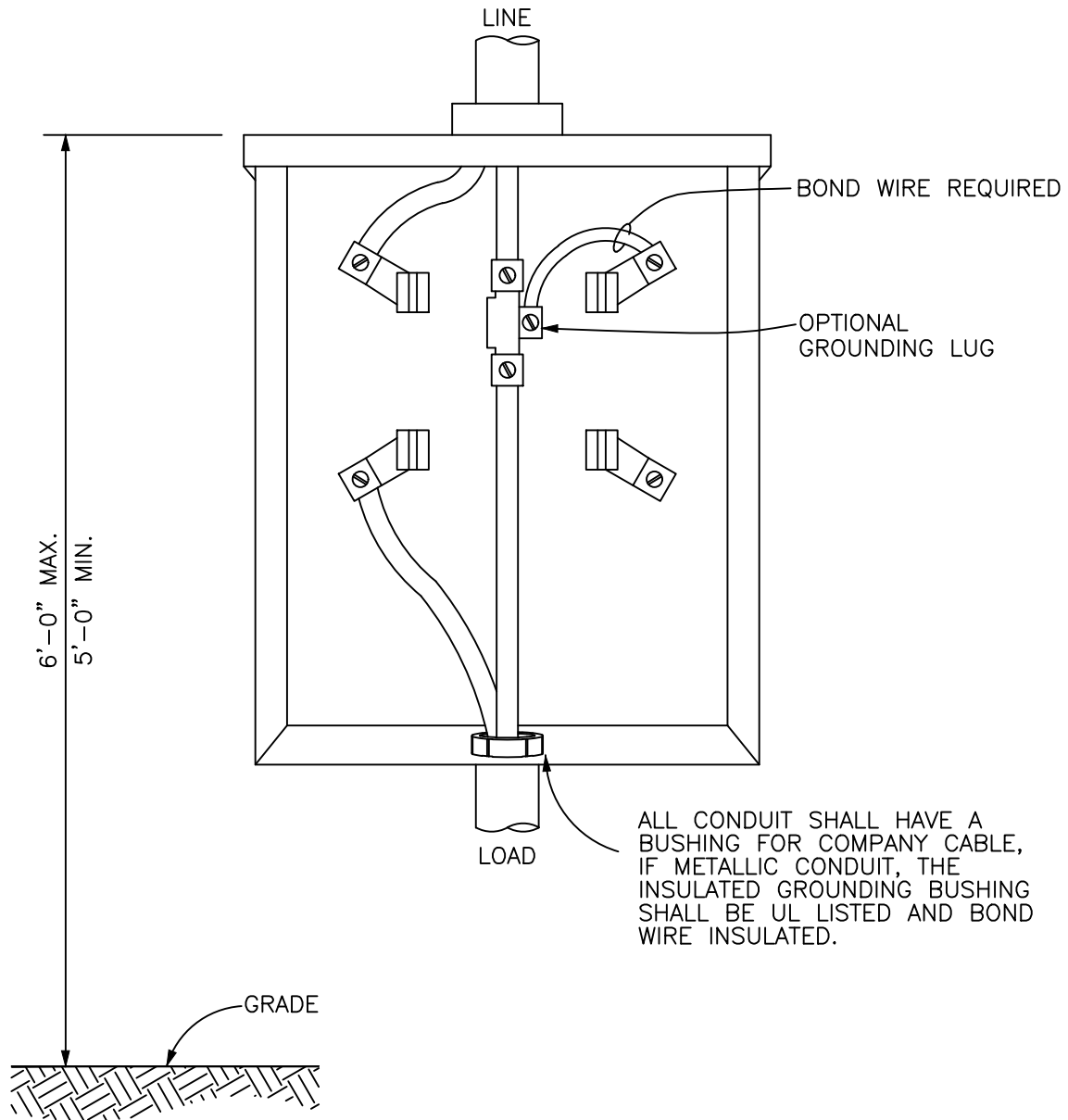
- Meter fittings shall be designed for use with standard socket type watt-hour meters.
- Meter fittings shall be in a NEMA 3R enclosure even if installed inside.
- Meter fittings shall be of the ringless type.
- Meter fittings shall have a swing style latch, which will accept padlock or wire style seals.
- Meter fittings shall be UL listed. (Listings with other Nationally Recognized Testing Laboratories are acceptable)
- Meter fittings shall be provided with a horn by-pass.
- Meter fittings shall be provided with concentric knockouts in the back, sides and bottom.
- Meter fittings shall be clearly marked with the manufacturer's name, catalog number and electrical ratings.
- Meter fittings shall have provisions for a 5th terminal.
 - Where a 5th terminal is required, it shall be listed and made by the same manufacturer as the meter fitting and for that meter fitting.
- 100 ampere meter fittings shall have tin-plated jaws and line side connectors suitable for the minimum range of 6 through 2/0 AWG CU/AL conductors. 100 ampere meter fittings shall be used for overhead services only.
- 200 ampere meter fittings shall have tin-plated jaws and line side connectors suitable for the minimum range of 6 AWG through 350 kcmil CU/AL conductors.
- Meter fittings with a lever by-pass shall not be permitted for these size meter fittings.

320 ampere, 600 V

(320A meter fitting is for up to 400 amperes of service)

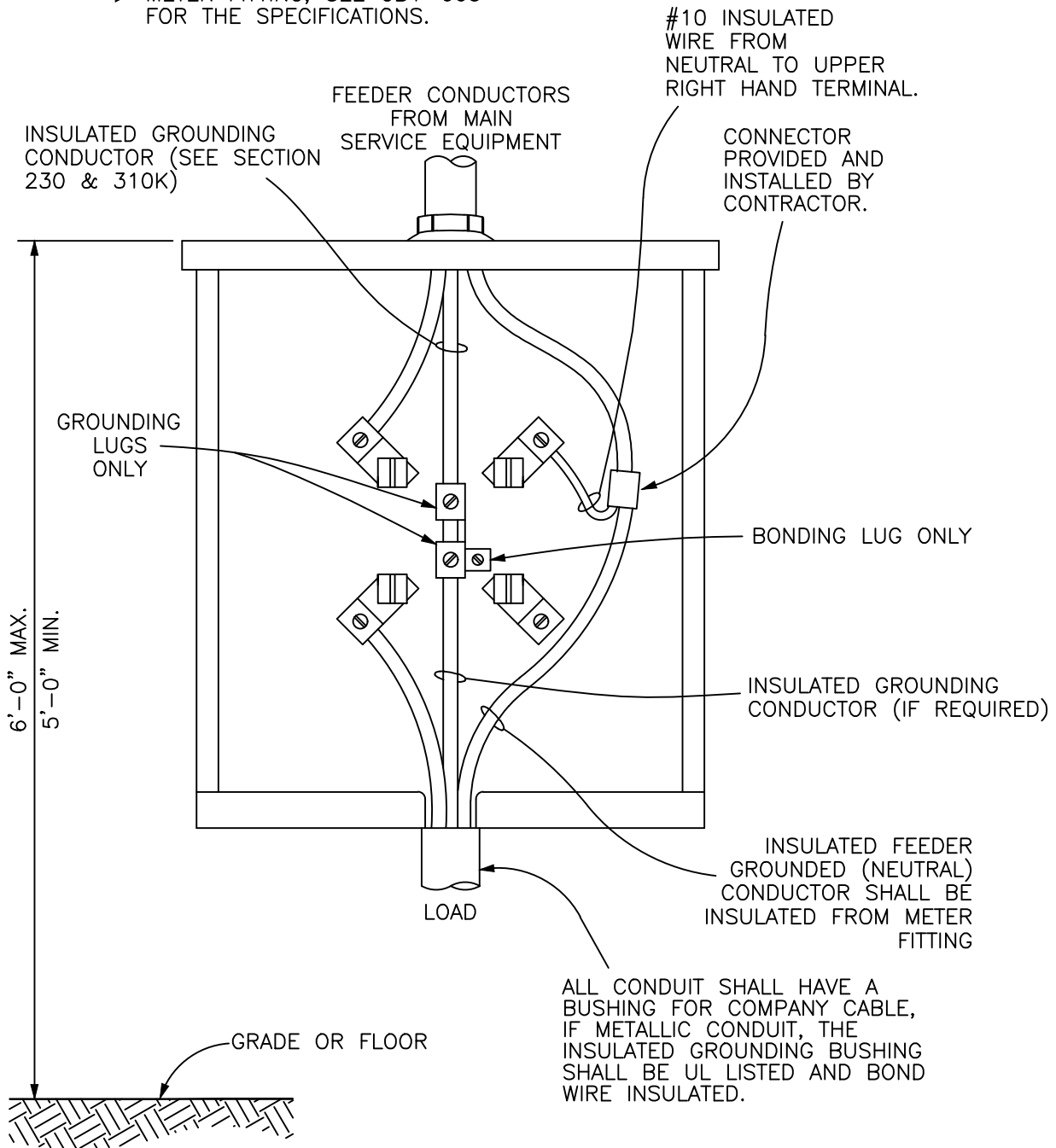
- Meter fittings shall be designed for use with standard socket type watt-hour meters.
- Meter fittings shall be in a NEMA 3R enclosure even if installed inside.
- Meter fittings shall be of the ringless type
- Meter fittings shall have a swing style latch, which will accept padlock or wire style seals.
- Meter fittings shall be UL listed. (Listings with other Nationally Recognized Testing Laboratories are acceptable)
- Meter fittings shall be provided with a jaw release lever by-pass.
- Meter fittings shall be provided with concentric knockouts in the back, sides and bottom.
- Meter fittings shall be clearly marked with the manufacturer's name, catalog number and electrical ratings.
- Meter fittings shall be rated at a minimum of 320 amperes.
- Meter fittings shall have line side 3/8" diameter studs or tin-plated jaws and connectors suitable for the minimum range of 2/0 AWG - 600 kcmil CU/AL for terminating cable. IPL connections shall be on the left side.

▶ CUSTOMER TO FURNISH THE
METER FITTING, SEE GB1-005
FOR THE SPECIFICATIONS.



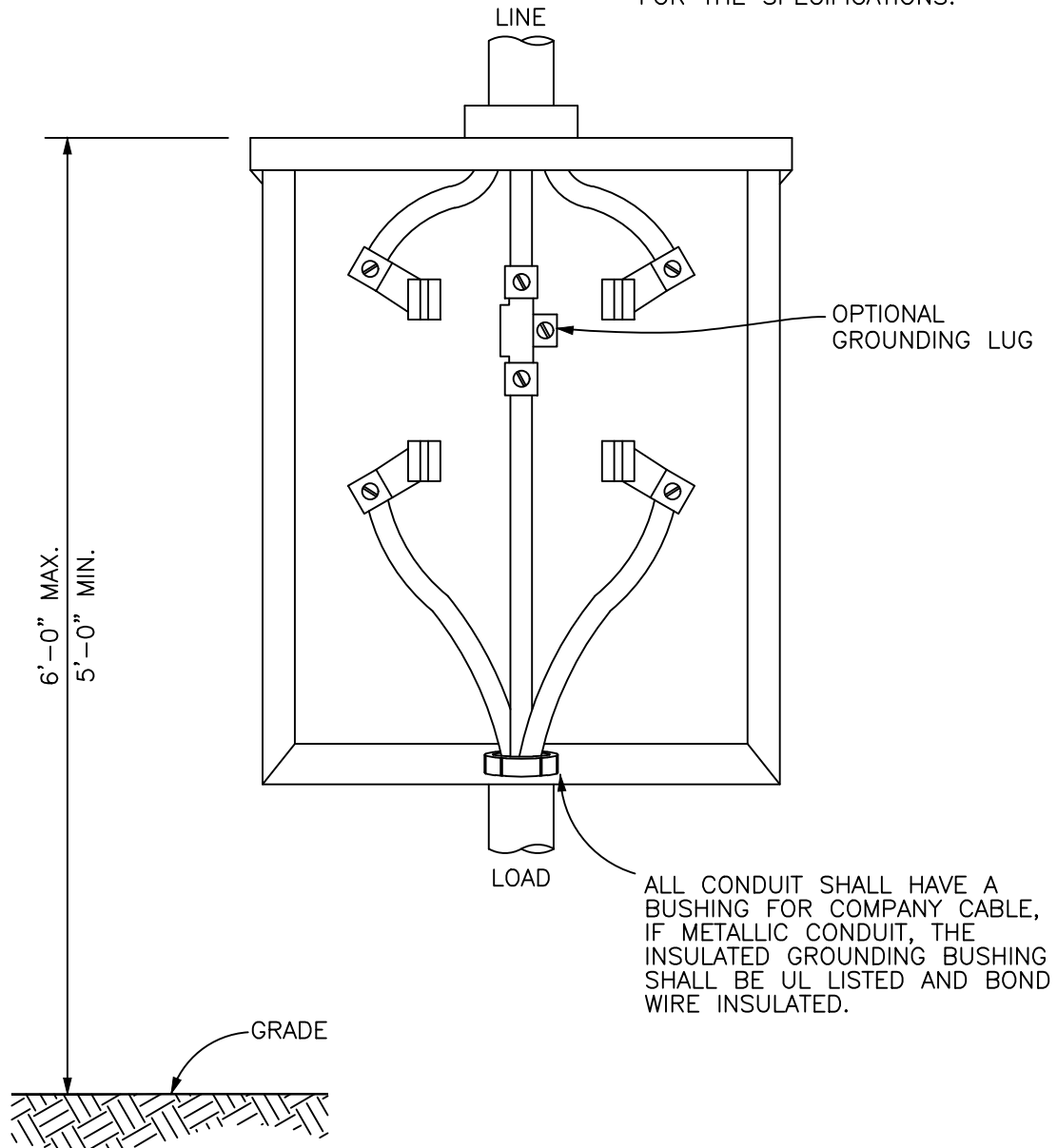
**100 A METER FITTING
OVERHEAD INSTALLATION
120 VOLT, 1 PHASE, 2 WIRE
30A MAXIMUM SERVICE**

CUSTOMER TO FURNISH THE
 ► METER FITTING, SEE GB1-005
 FOR THE SPECIFICATIONS.



**100A METER FITTING
 INSTALLED AFTER MAIN SERVICE EQUIPMENT
 120 VOLT, 1 PHASE, 2 WIRE
 30A MAXIMUM SERVICE**

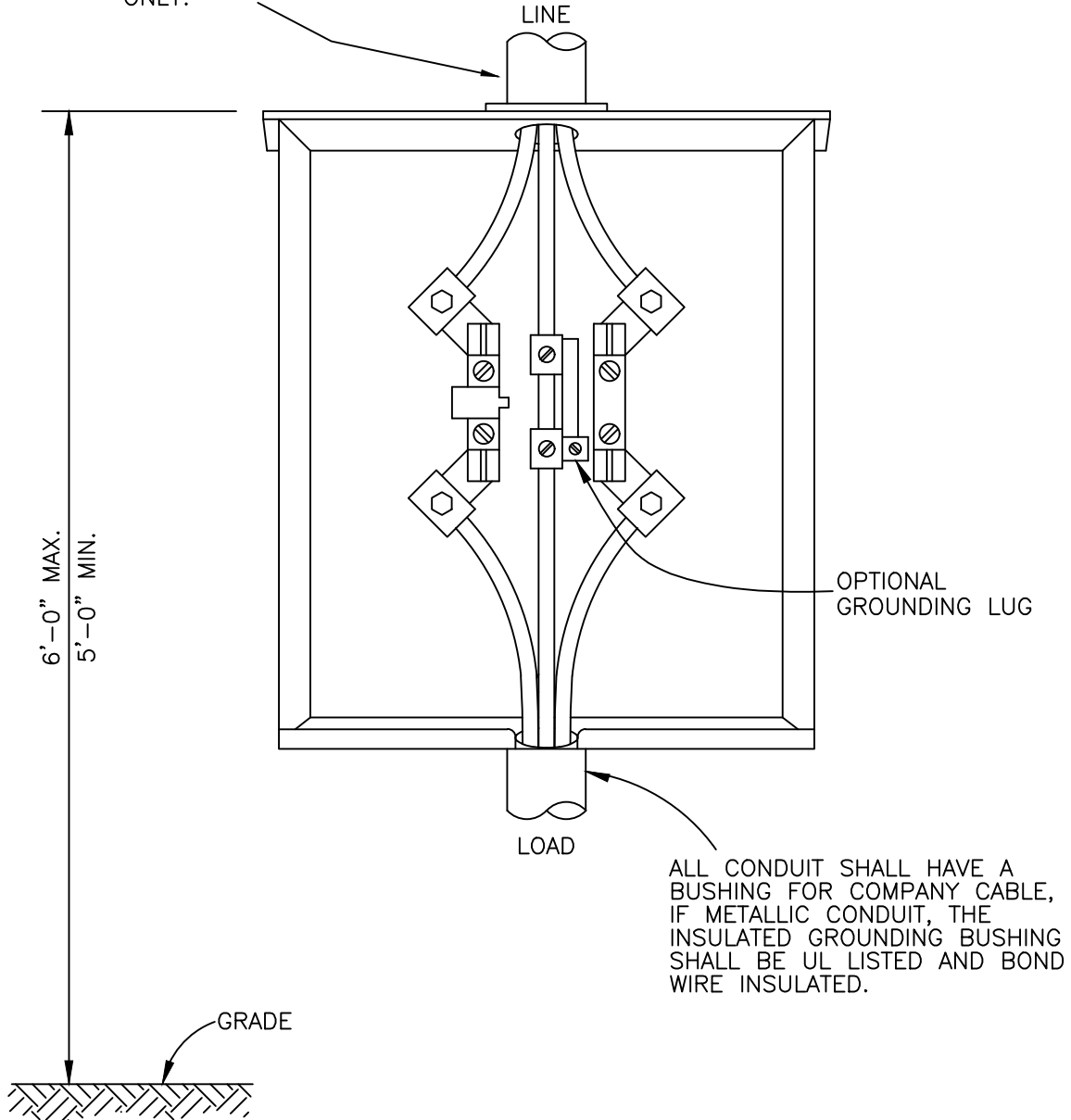
▶ CUSTOMER TO FURNISH THE
METER FITTING, SEE GB1-005
FOR THE SPECIFICATIONS.



**100A METER FITTING
OVERHEAD INSTALLATION
120/240 VOLT, 1 PHASE, 3 WIRE
125A MAXIMUM SERVICE**

WHERE CONDUIT IS USED
IN THE TOP POSITION,
IT SHALL BE FOR LINE
ONLY.

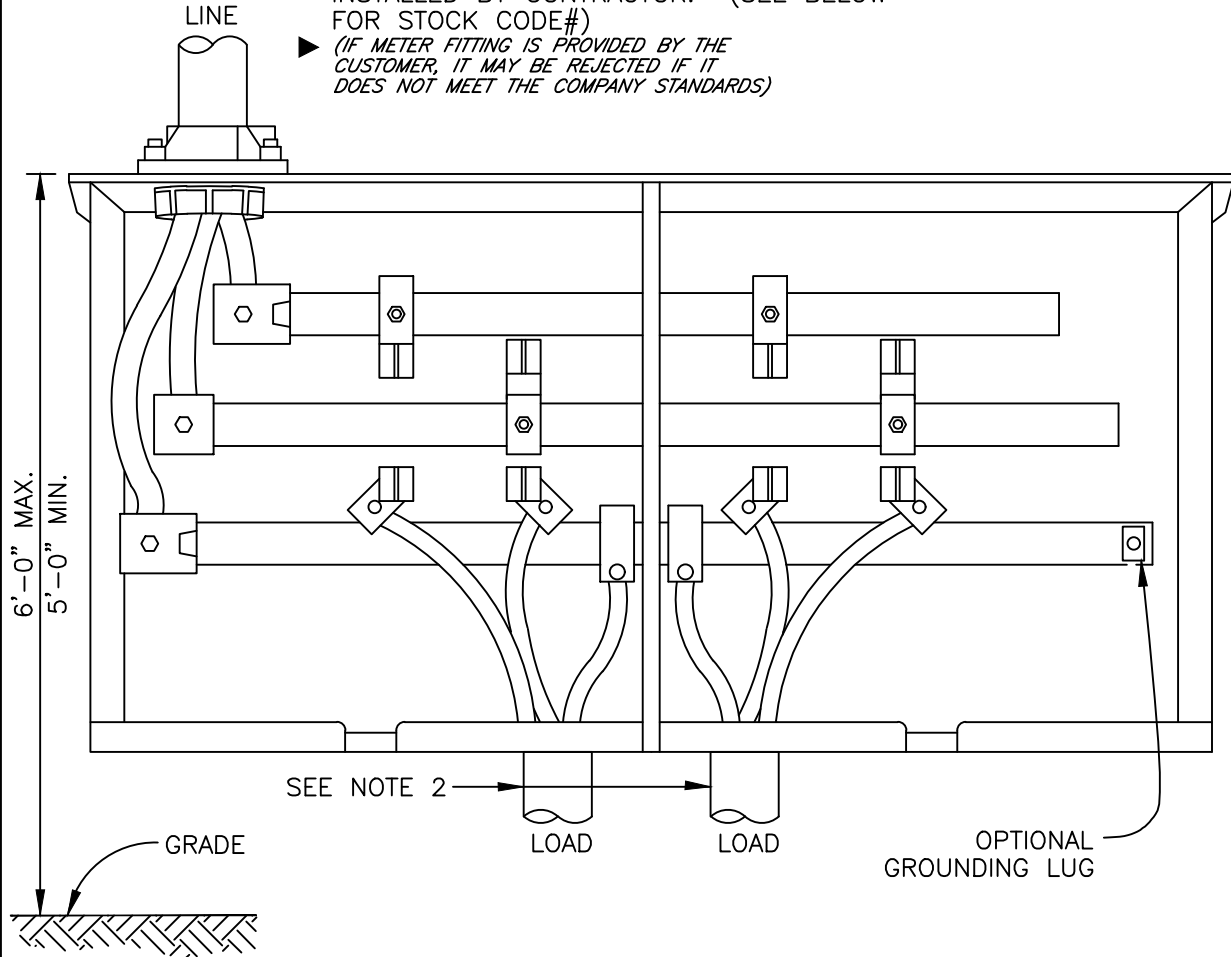
▶ CUSTOMER TO FURNISH THE
METER FITTING, SEE GB1-005
FOR THE SPECIFICATIONS.



**200A METER FITTING
OVERHEAD INSTALLATION
120/240 VOLT, 1 PHASE, 3 WIRE
225A MAXIMUM SERVICE**

METER FITTING FURNISHED BY COMPANY,
INSTALLED BY CONTRACTOR. (SEE BELOW
FOR STOCK CODE#)

▶ (IF METER FITTING IS PROVIDED BY THE
CUSTOMER, IT MAY BE REJECTED IF IT
DOES NOT MEET THE COMPANY STANDARDS)

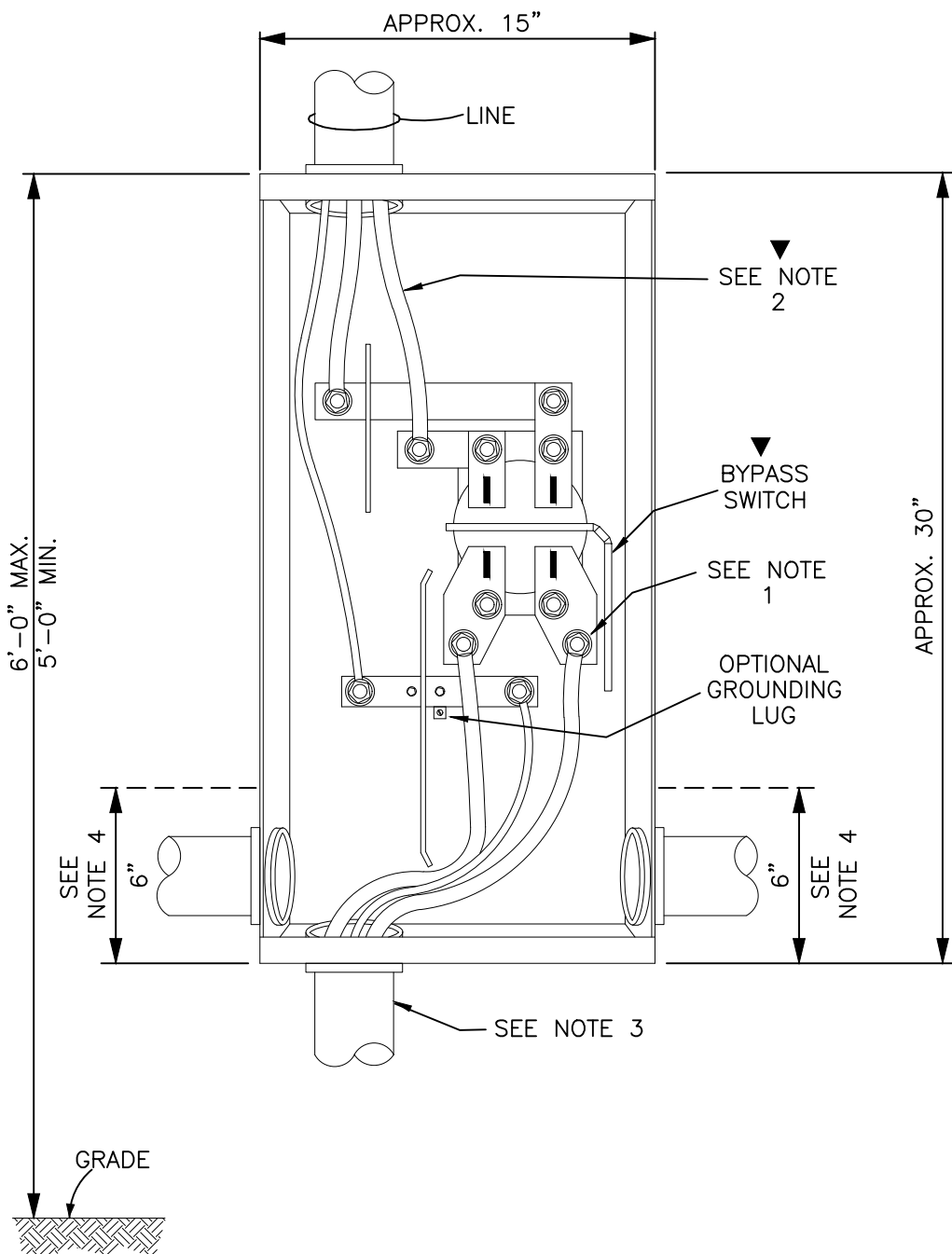


	STOCK CODE #	MAX. LINE LUG SIZE	USE
TWO METER POSITION CABINET	4008-058	500 KCMIL-AL OR CU	COMMERCIAL/RESIDENTIAL
THREE METER POSITION CABINET	4008-059	500 KCMIL-AL OR CU	RESIDENTIAL ONLY
FOUR METER POSITION CABINET	4008-175	500 KCMIL-AL OR CU	RESIDENTIAL ONLY

NOTES:

1. GANGED METER FITTINGS SHALL NOT BE USED TO SUPPLY 120/208 VOLT SINGLE PHASE SERVICES.
- ▶ 2. ALL CONDUIT SHALL HAVE A BUSHING FOR COMPANY CABLE, IF METALLIC CONDUIT, THE INSULATED GROUNDING BUSHING SHALL BE U.L. LISTED AND BOND WIRE INSULATED.

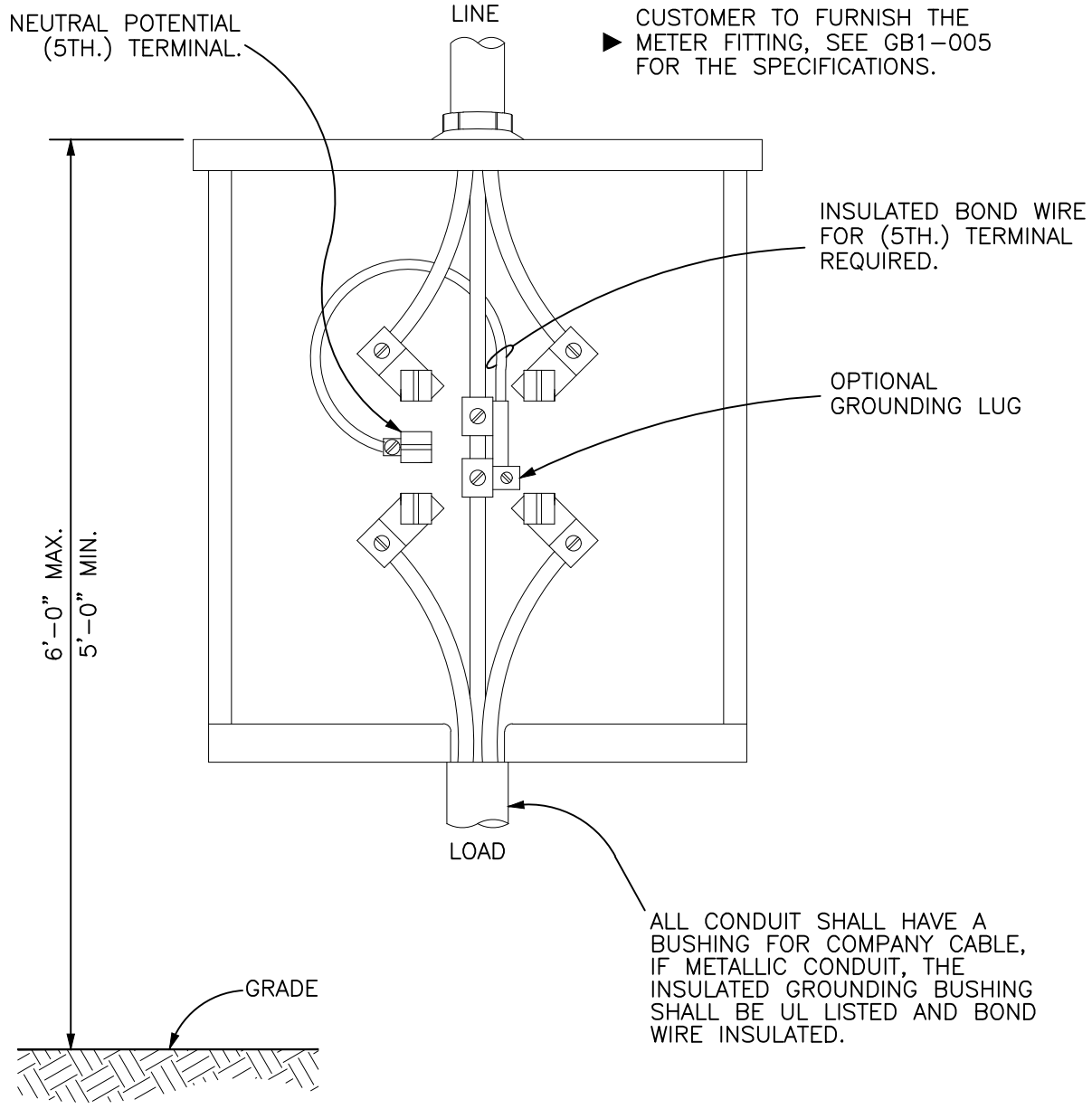
**200A METER FITTING 2, 3 OR 4 GANG
OVERHEAD INSTALLATION
120/240 VOLT, 1 PHASE, 3 WIRE
225A MAXIMUM SERVICE PER POSITION**



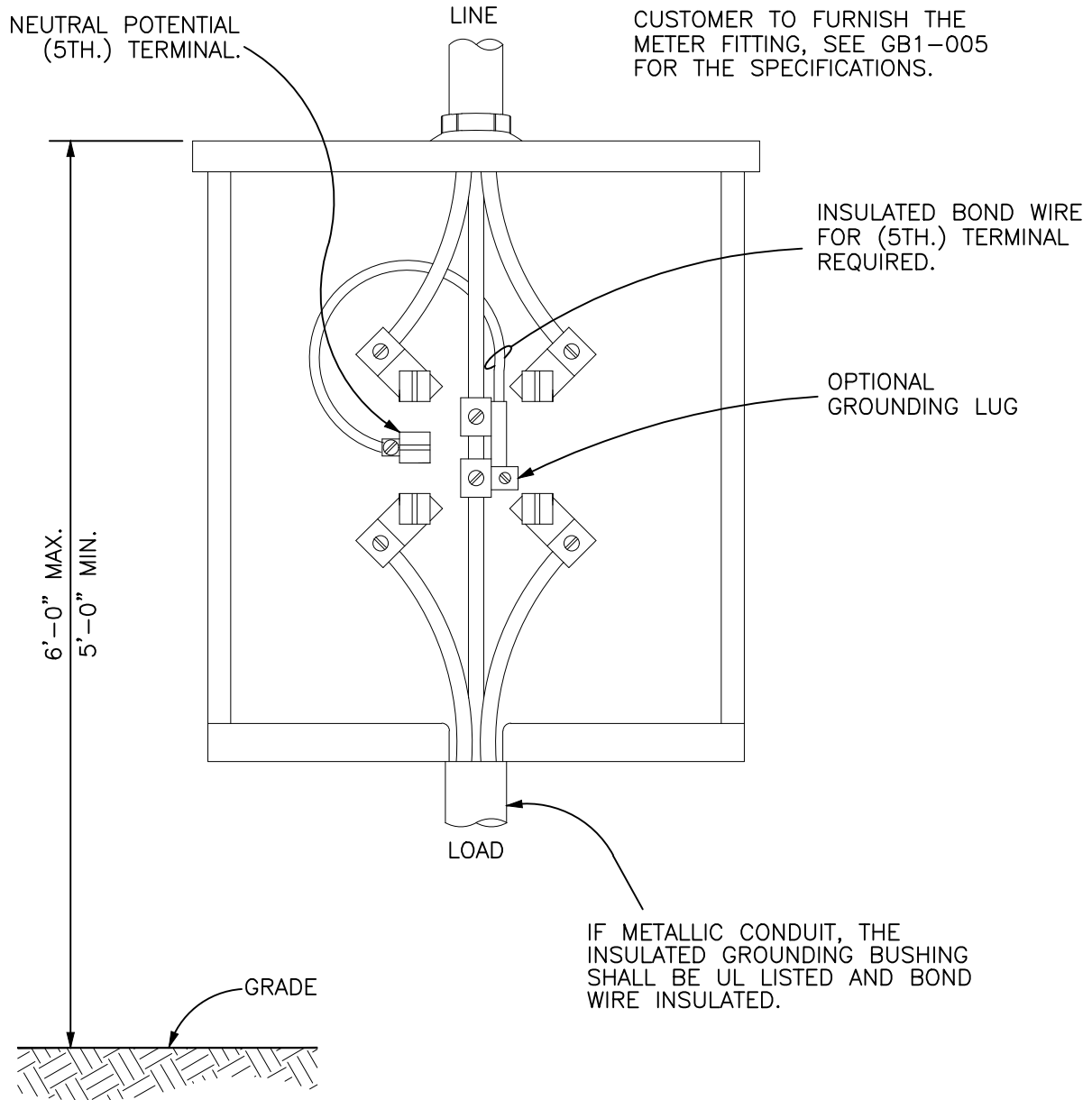
NOTES:

1. CONTRACTOR TO PROVIDE AND INSTALL CONNECTORS FOR CUSTOMER OWNED CABLES.
- ▶ 2. IPL CABLE CONNECTIONS SHALL BE ON THE LEFT SIDE OF THE METER FITTING AS SHOWN.
3. ALL CONDUIT SHALL HAVE A BUSHING FOR COMPANY CABLE, IF METALLIC CONDUIT, THE INSULATED GROUNDING BUSHING SHALL BE U.L. LISTED AND BOND WIRE INSULATED.
4. LOAD CONDUITS SHALL BE LOCATED IN LOWER 6" OF METER FITTING.
5. DIMENSIONS OF ACTUAL FITTING MAY VARY FROM THOSE SHOWN ABOVE.

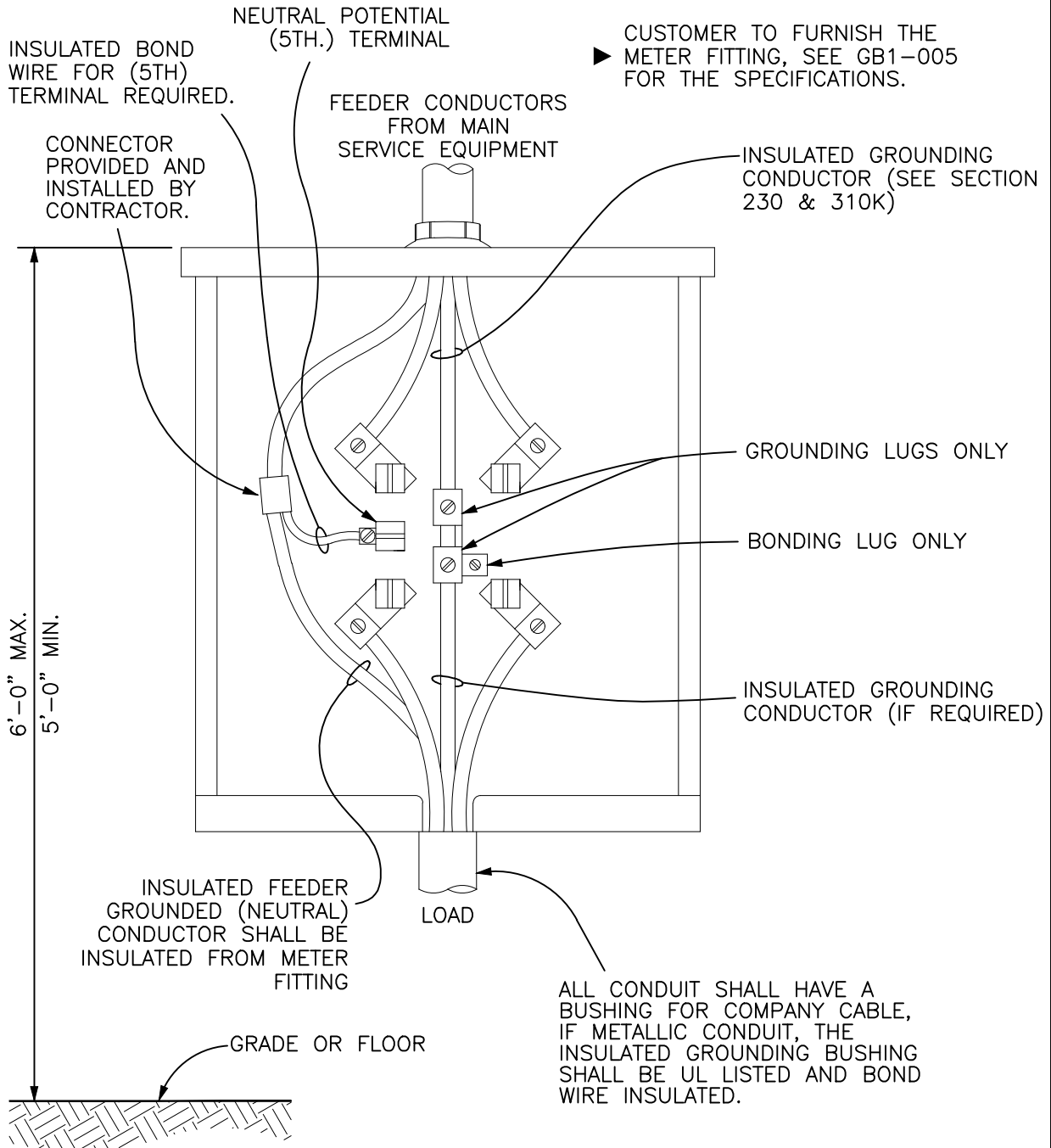
**320A METER FITTING
OVERHEAD INSTALLATION
120/240 VOLT, 1 PHASE, 3 WIRE
250A TO 400A SERVICE**



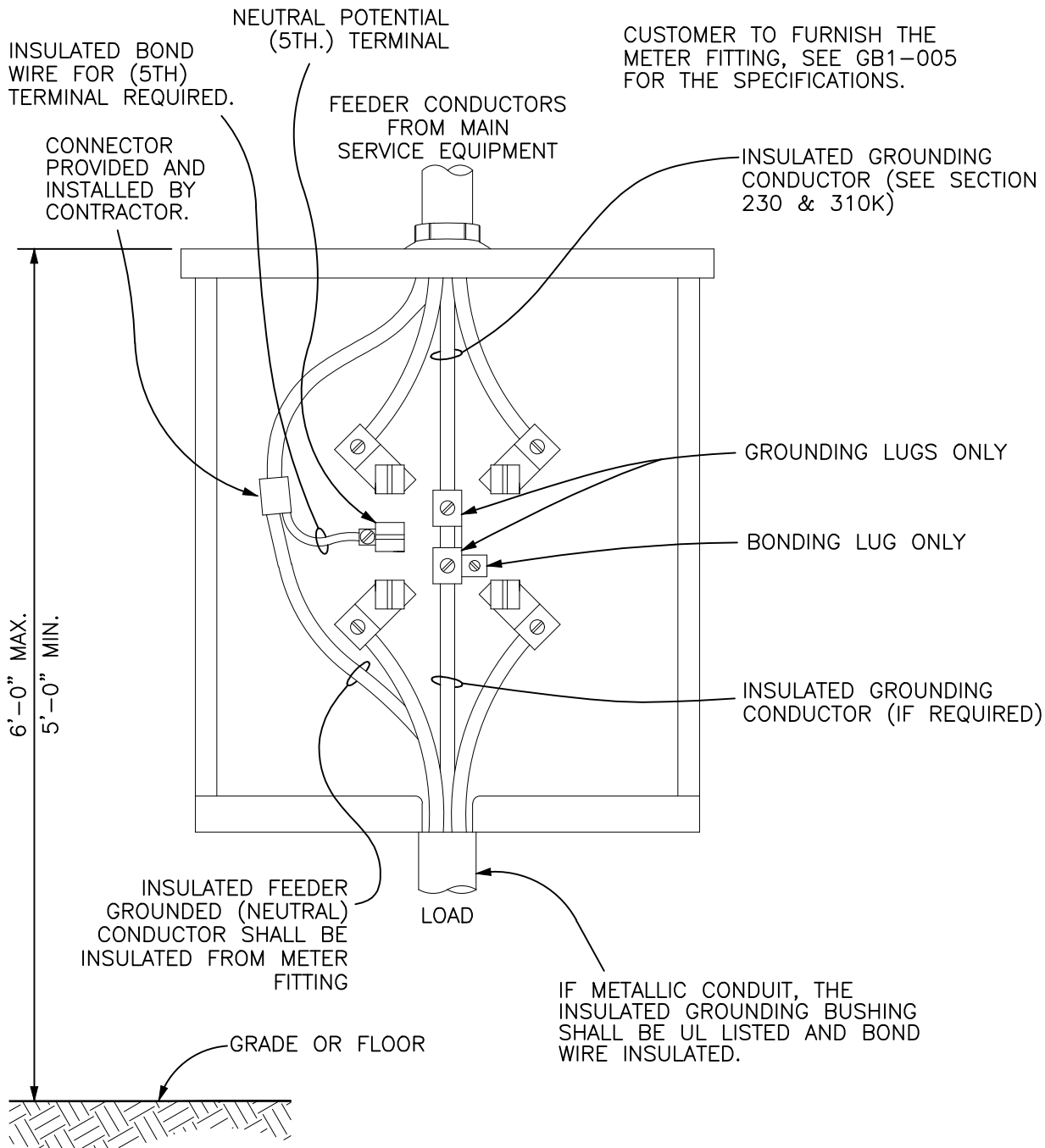
**100A METER FITTING
OVERHEAD INSTALLATION
120/208 VOLT, 1 PHASE, 3 WIRE
125A MAXIMUM SERVICE**



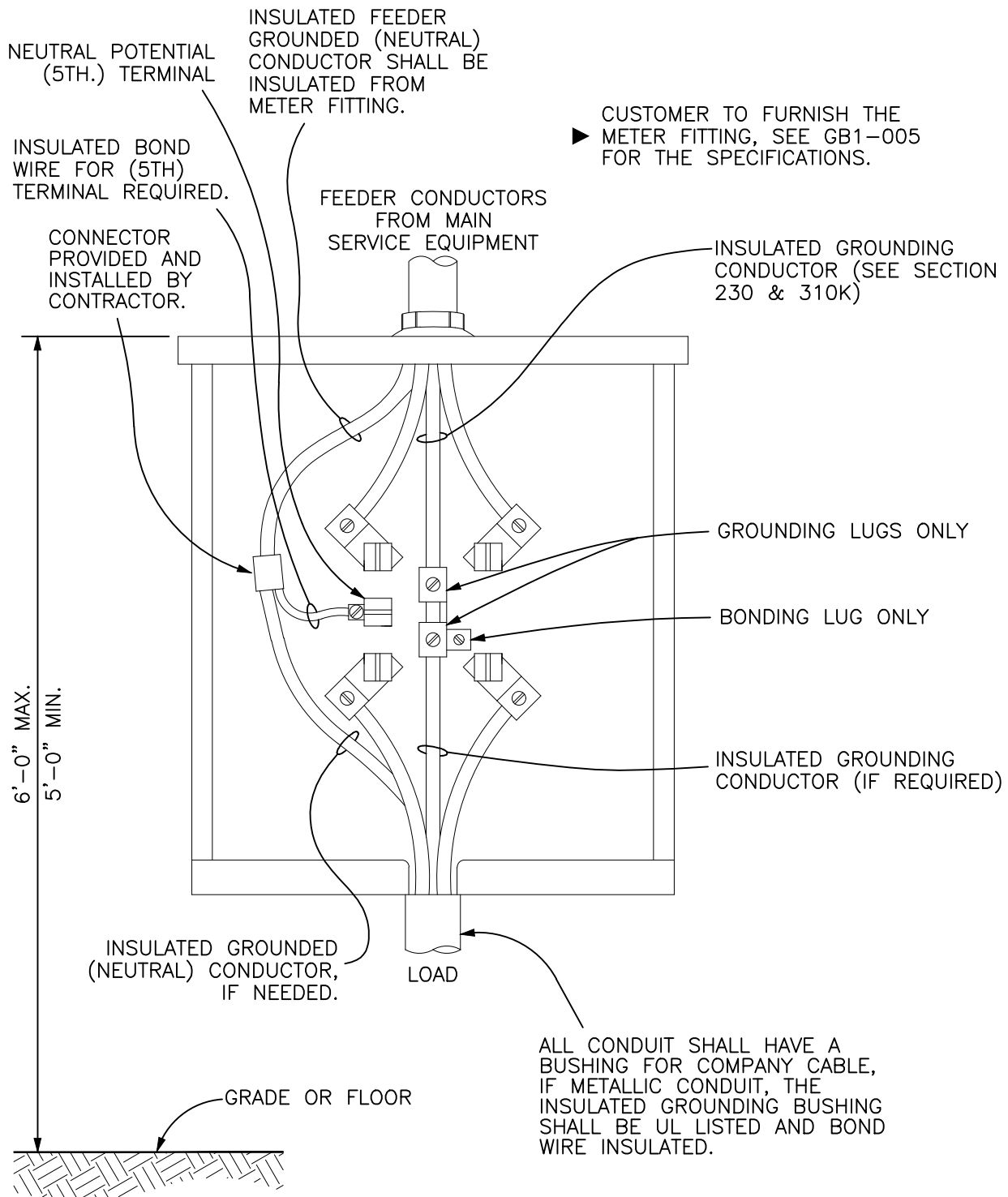
**200A METER FITTING
OVERHEAD INSTALLATION
RESIDENTIAL OR TEMPORARY
120/208 VOLT, 1 PHASE, 3 WIRE
200A MAXIMUM SERVICE**



**100A METER FITTING
 INSTALLED AFTER MAIN SERVICE EQUIPMENT
 120/208 VOLT, 1 PHASE, 3 WIRE
 125A MAXIMUM SERVICE**

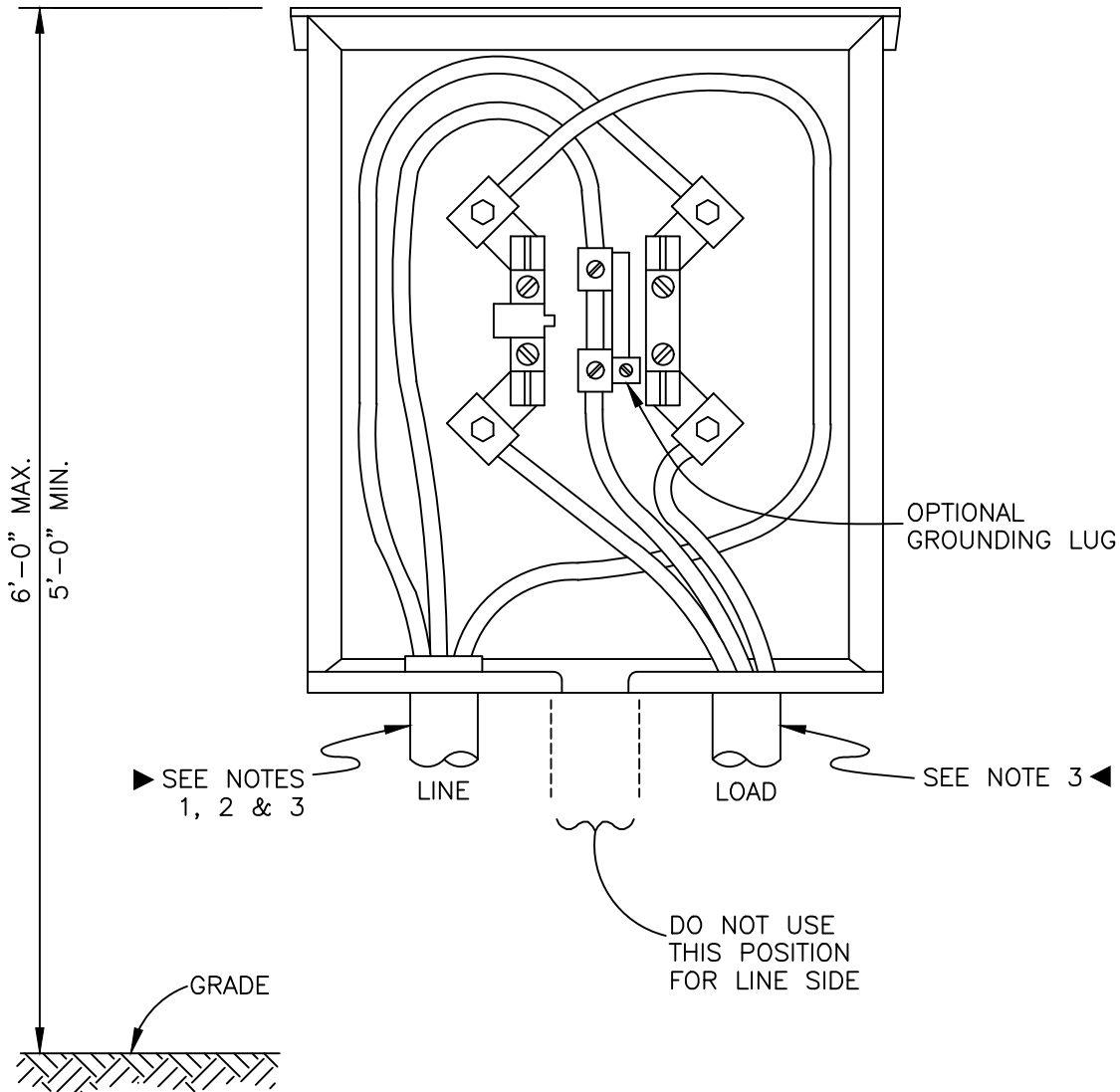


**200A METER FITTING
 INSTALLED AFTER MAIN SERVICE EQUIPMENT
 RESIDENTIAL OR TEMPORARY
 120/208 VOLT, 1 PHASE, 3 WIRE
 200A MAXIMUM SERVICE**



**200A METER FITTING
 INSTALLED AFTER MAIN SERVICE EQUIPMENT
 NETWORK INSTALLATION ONLY
 277/480 VOLT, 1 PHASE, 3 WIRE
 125A MAXIMUM SERVICE**

CUSTOMER TO FURNISH THE
METER FITTING, SEE GB1-005
FOR THE SPECIFICATIONS.



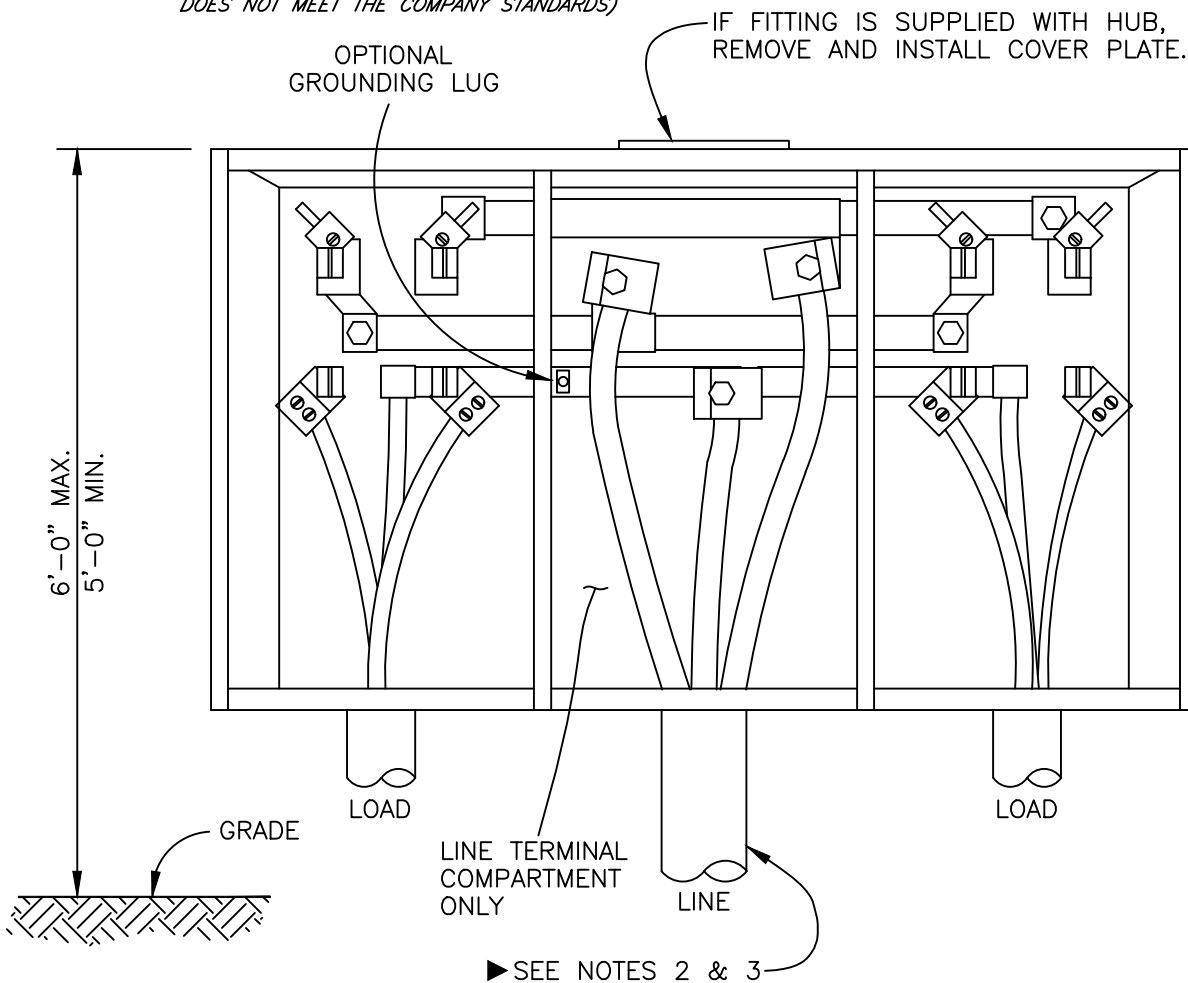
NOTES:

1. MINIMUM 2-1/2" RIGID METALLIC CONDUIT OR GRAY SCHEDULE 80 PVC INSTALLED BY CONTRACTOR.
- ▶ 2. LINE CONDUIT SHALL HAVE A BUSHING FOR COMPANY CABLE, IF METALLIC CONDUIT, THE INSULATED GROUNDING BUSHING SHALL BE U.L. LISTED AND BOND WIRE INSULATED.
3. LINE AND LOAD CONDUITS MAY BE REVERSED TO SUIT CONDITIONS.

**200A METER FITTING
UNDERGROUND INSTALLATION
120/240 VOLT, 1 PHASE, 3 WIRE
225A MAXIMUM SERVICE**

METER FITTING FURNISHED BY COMPANY,
INSTALLED BY CONTRACTOR. (SEE BELOW
FOR STOCK CODE#)

*(IF METER FITTING IS PROVIDED BY THE
CUSTOMER, IT MAY BE REJECTED IF IT
DOES NOT MEET THE COMPANY STANDARDS)*

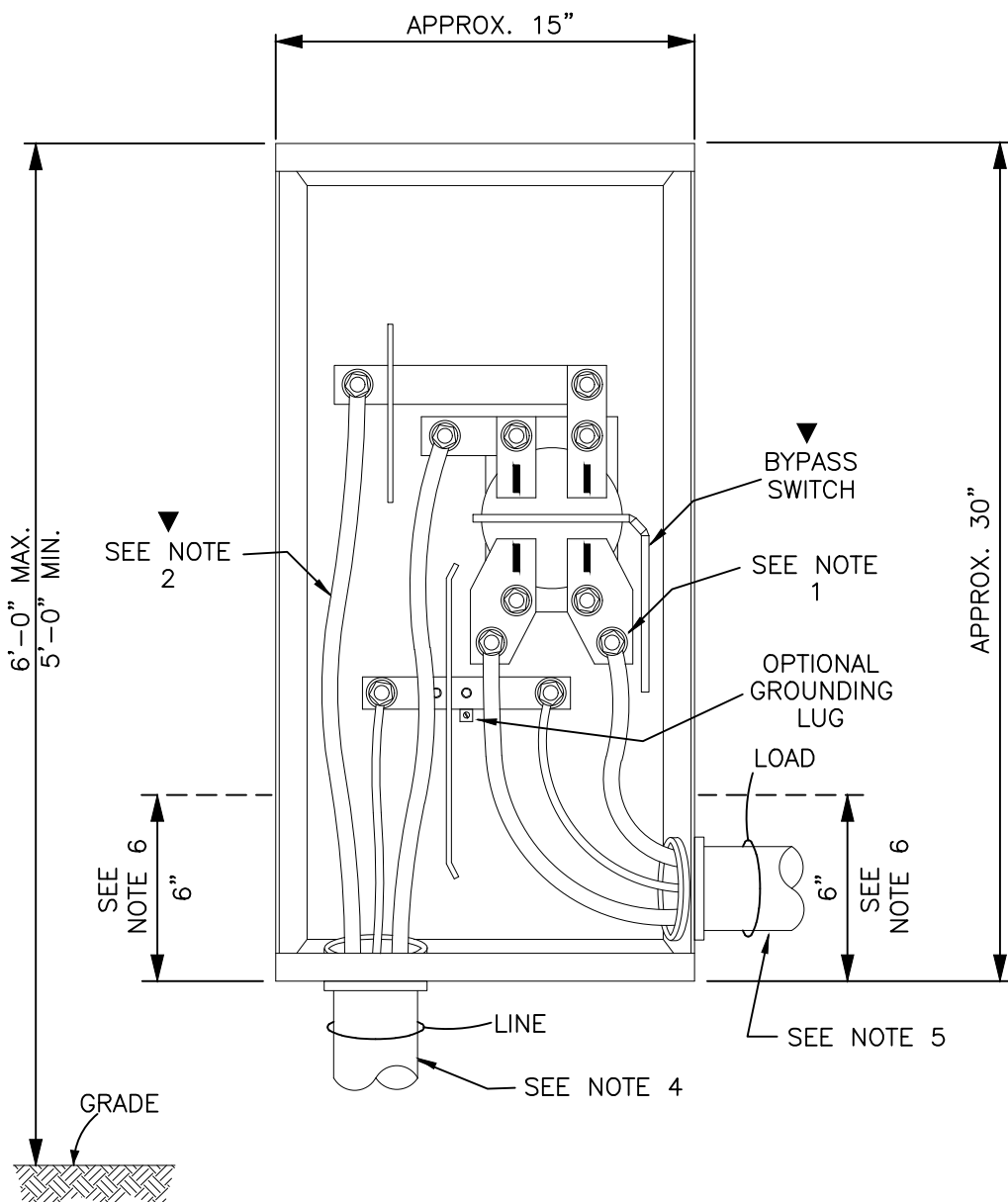


	STOCK CODE #	MAX. LINE LUG SIZE	USE
TWO METER POSITION CABINET	4008-058	500 KCMIL-AL OR CU	COMMERCIAL/RESIDENTIAL
THREE METER POSITION CABINET	4008-059	500 KCMIL-AL OR CU	RESIDENTIAL ONLY
FOUR METER POSITION CABINET	4008-175	500 KCMIL-AL OR CU	RESIDENTIAL ONLY

NOTES:

1. GANGED METER FITTINGS SHALL NOT BE USED TO SUPPLY 120/208 VOLT SINGLE PHASE SERVICES.
2. MINIMUM 3" RIGID METALLIC CONDUIT OR GRAY SCHEDULE 80 PVC INSTALLED BY CONTRACTOR.
- ▶ 3. LINE CONDUIT SHALL HAVE A BUSHING FOR COMPANY CABLE, IF METALLIC CONDUIT, THE INSULATED GROUNDING BUSHING SHALL BE U.L. LISTED AND BOND WIRE INSULATED.

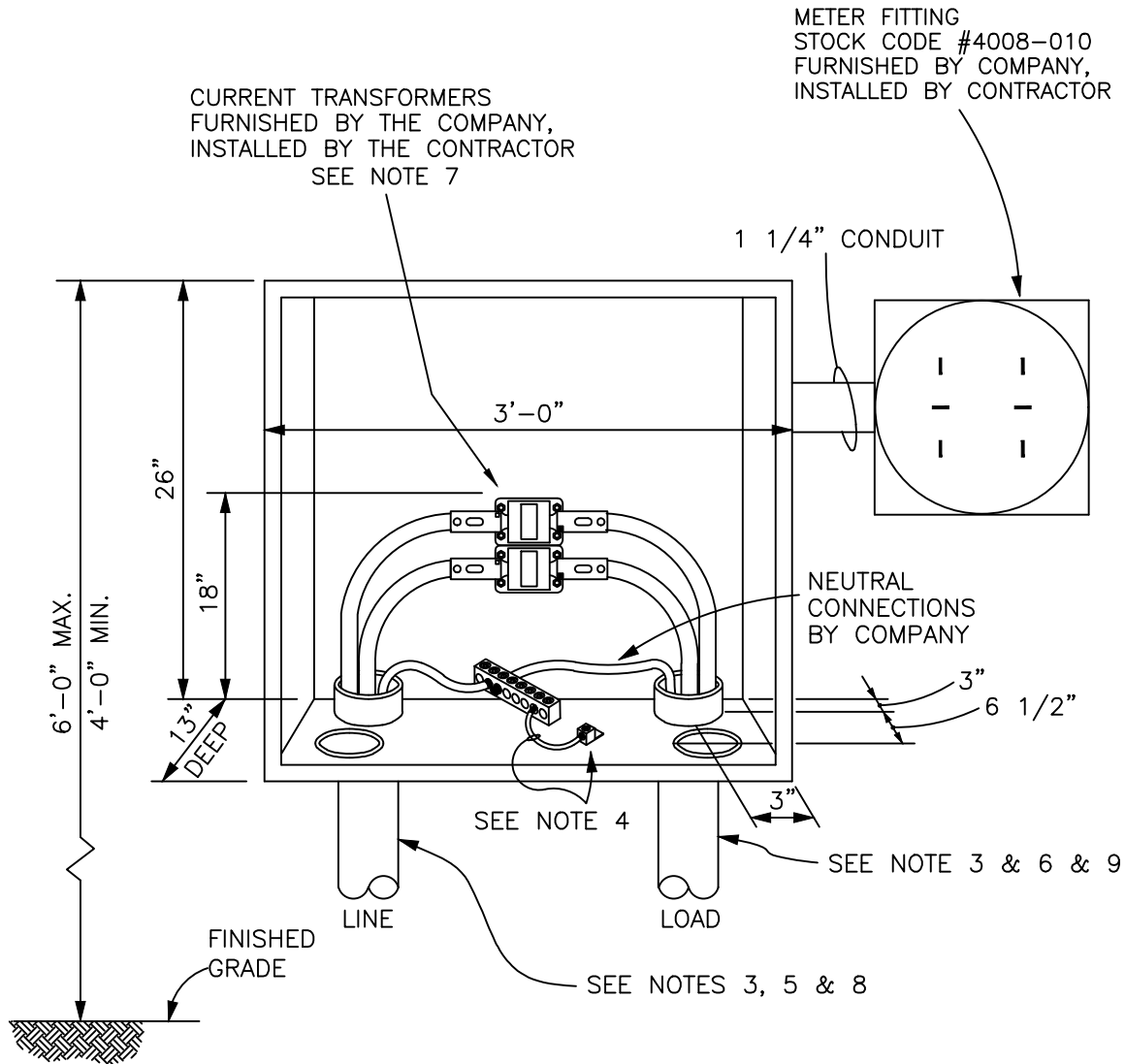
**200A METER FITTING, 2, 3 OR 4 GANG
UNDERGROUND INSTALLATION
120/240 VOLT, 1 PHASE, 3 WIRE
225A MAXIMUM SERVICE PER POSITION**



NOTES:

1. CONTRACTOR TO PROVIDE AND INSTALL CONNECTORS FOR CUSTOMER OWNED CABLES.
- ▶ 2. IPL CABLE CONNECTIONS SHALL BE ON THE LEFT SIDE OF THE METER FITTING AS SHOWN.
3. DIMENSIONS OF ACTUAL FITTINGS MAY VARY FROM THOSE SHOWN ABOVE.
4. MINIMUM 3" RIGID METALLIC CONDUIT OR GRAY SCHEDULE 80 PVC INSTALLED BY CONTRACTOR.
5. ALL CONDUIT SHALL HAVE A BUSHING FOR COMPANY CABLE, IF METALLIC CONDUIT, THE INSULATED GROUNDING BUSHING SHALL BE U.L. LISTED AND BOND WIRE INSULATED.
6. LOAD CONDUITS SHALL BE LOCATED IN LOWER 6" OF METER FITTING.

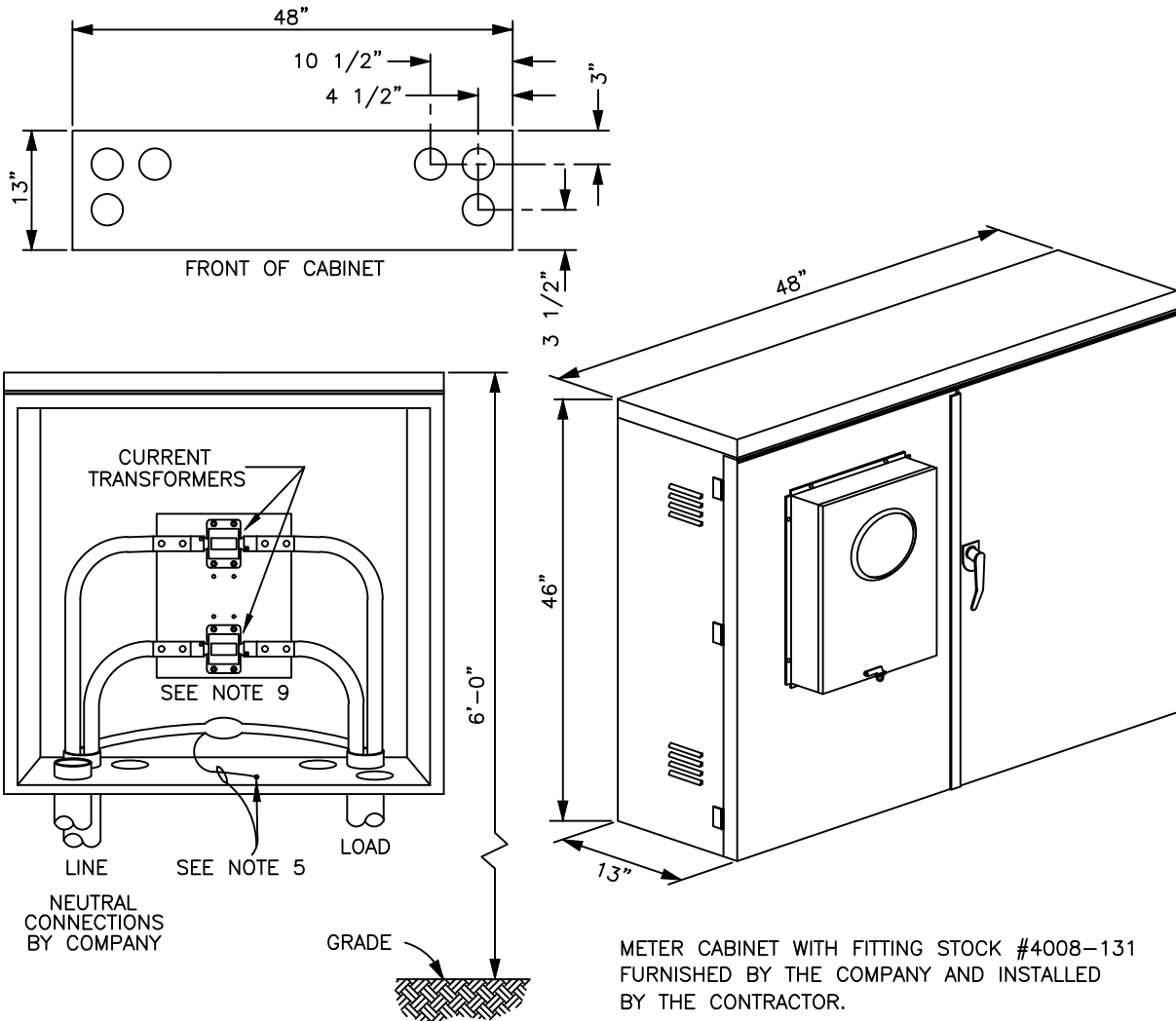
**320A METER FITTING
UNDERGROUND INSTALLATION
120/240 VOLT, 1 PHASE, 3 WIRE
250A TO 400A SERVICE**



NOTES:

1. METER CABINET (STOCK #4008-138), METERING TRANSFORMERS AND CODED CABLE FURNISHED BY COMPANY, INSTALLED BY CONTRACTOR.
2. 1 1/4" CONDUIT FOR REMOTE METER, FURNISHED AND INSTALLED BY CONTRACTOR.
3. LINE AND LOAD CONDUITS MAY BE REVERSED TO SUIT CONDITIONS.
- ▶ 4. BONDING LUG AND 18 INCHES OF INSULATED 2/0 AWG MINIMUM COPPER CONDUCTOR SHALL BE PROVIDED AND INSTALLED BY THE ELECTRICAL CONTRACTOR.
5. MINIMUM 4" RIGID METALLIC CONDUIT OR GRAY SCHEDULE 80 PVC INSTALLED BY CONTRACTOR.
6. ALL CONDUIT SHALL HAVE A BUSHING FOR COMPANY CABLE, IF METALLIC CONDUIT, THE INSULATED GROUNDING BUSHING SHALL BE U.L. LISTED AND BOND WIRE INSULATED.
7. THE CURRENT TRANSFORMER MOUNTING BRACKETS SHALL BE BUTTED AGAINST EACH OTHER. TOP C.T. SHALL BE AT 18".
8. 2-4" LINE CONDUITS LOCATED "FRONT TO BACK" ARE REQUIRED FOR SERVICES OF 600A AND ABOVE. CONDUIT SHALL NOT ENTER BACK OF CABINET.
9. MAXIMUM OF 4 CONNECTIONS TO COMPANY CT'S.

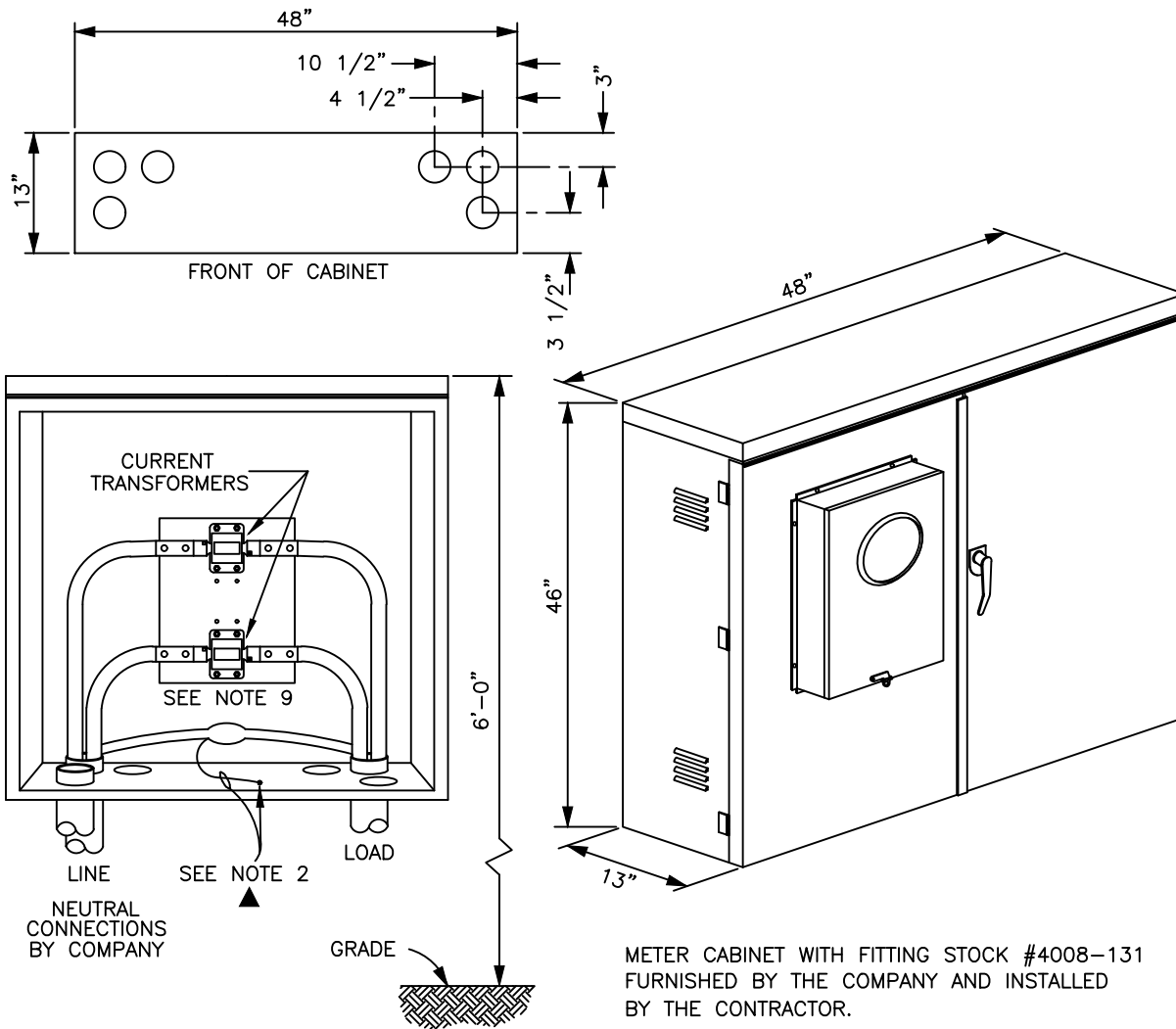
**RESIDENTIAL OUTDOOR METERING
(SINGLE FAMILY DWELLING ONLY)
UNDERGROUND INSTALLATION
120/240 VOLT, 1 PHASE, 3 WIRE
450A TO 800A SERVICE**



NOTES:

1. LINE AND LOAD CONDUITS MAY BE REVERSED TO SUIT CONDITIONS.
2. CONDUITS SHALL NOT ENTER BACK OF METER CABINET. USE KNOCKOUT IN BOTTOM OF METER CABINET ADJACENT TO SIDES. LOAD CONDUITS MAY EXIT FROM THE LOAD SIDE IN LOWER 24" OF THE METER CABINET IF APPROVED BY THE COMPANY.
3. 2-4" LINE CONDUITS ARE REQUIRED FOR SERVICES OF 600A AND ABOVE.
4. METERING TRANSFORMERS FURNISHED BY COMPANY, INSTALLED BY CONTRACTOR.
- ▶ 5. BONDING LUG AND 18 INCHES OF INSULATED 2/0 AWG MINIMUM COPPER CONDUCTOR SHALL BE PROVIDED AND INSTALLED BY THE ELECTRICAL CONTRACTOR.
6. CUSTOMER TO FURNISH AND INSTALL PROTECTIVE POSTS, AS APPROVED BY COMPANY, WHEN EXPOSED TO VEHICULAR TRAFFIC.
7. MINIMUM 4" RIGID METALLIC CONDUIT OR GRAY SCHEDULE 80 PVC INSTALLED BY CONTRACTOR.
8. ALL CONDUIT SHALL HAVE A BUSHING FOR COMPANY CABLE, IF METALLIC CONDUIT, THE INSULATED GROUNDING BUSHING SHALL BE U.L. LISTED AND BOND WIRE INSULATED.
9. MOUNT THE TWO (2) CURRENT TRANSFORMERS ON THE TOP AND BOTTOM MOUNTING STUDS, LEAVING THE MIDDLE MOUNTING OPEN.
10. METER CABINET SHALL BE TRUCK ACCESSIBLE. IF EXPOSED TO VEHICULAR TRAFFIC CUSTOMER SHALL PROVIDE AND INSTALL PROTECTIVE POSTS, AS APPROVED BY THE COMPANY.

**COMMERCIAL OUTDOOR METERING
UNDERGROUND INSTALLATION
120/240 VOLT, 1 PHASE, 3 WIRE
450A TO 800A SERVICE**



METER CABINET WITH FITTING STOCK #4008-131 FURNISHED BY THE COMPANY AND INSTALLED BY THE CONTRACTOR.

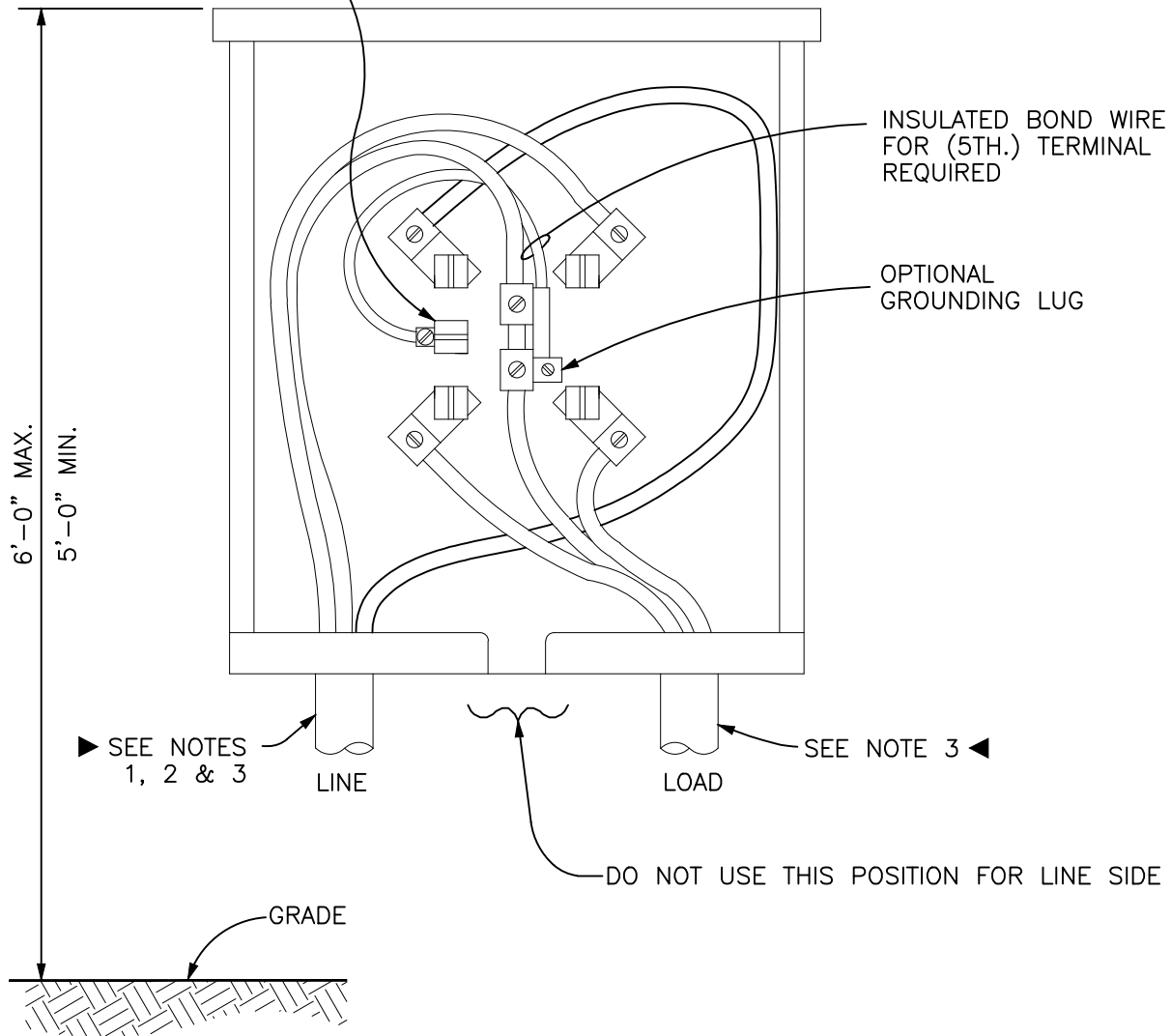
NOTES:

1. LINE AND LOAD CONDUITS MAY BE REVERSED TO SUIT CONDITIONS.
- ▶ 2. BONDING LUG AND 18 INCHES OF INSULATED 300 KCMIL MINIMUM COPPER CONDUCTOR SHALL BE PROVIDED AND INSTALLED BY THE ELECTRICAL CONTRACTOR.
3. MINIMUM 4" RIGID METALLIC CONDUIT OR GRAY SCHEDULE 80 PVC INSTALLED BY CONTRACTOR.
4. IF METALLIC CONDUIT, INSULATED GROUNDING BUSHING SHALL BE U.L. LISTED AND BOND WIRE INSULATED.
5. MOUNT THE TWO (2) CURRENT TRANSFORMERS ON THE TOP AND BOTTOM MOUNTING STUDS, LEAVING THE MIDDLE MOUNTING OPEN.
6. MAXIMUM OF FOUR (4) CONDUCTORS MAY BE CONNECTED TO LINE OR LOAD SIDE OF CURRENT TRANSFORMER.
7. 2-4" LINE CONDUITS ARE REQUIRED FOR SERVICES OF 850A TO 1200A.
3-4" LINE CONDUITS ARE REQUIRED FOR SERVICES OF 1250A TO 1600A.

**RESIDENTIAL OUTDOOR METERING
(SINGLE FAMILY DWELLING ONLY)
UNDERGROUND INSTALLATION
120/240 VOLT, 1 PHASE, 3 WIRE
850A TO 1600A SERVICE**

NEUTRAL POTENTIAL
(5TH.) TERMINAL

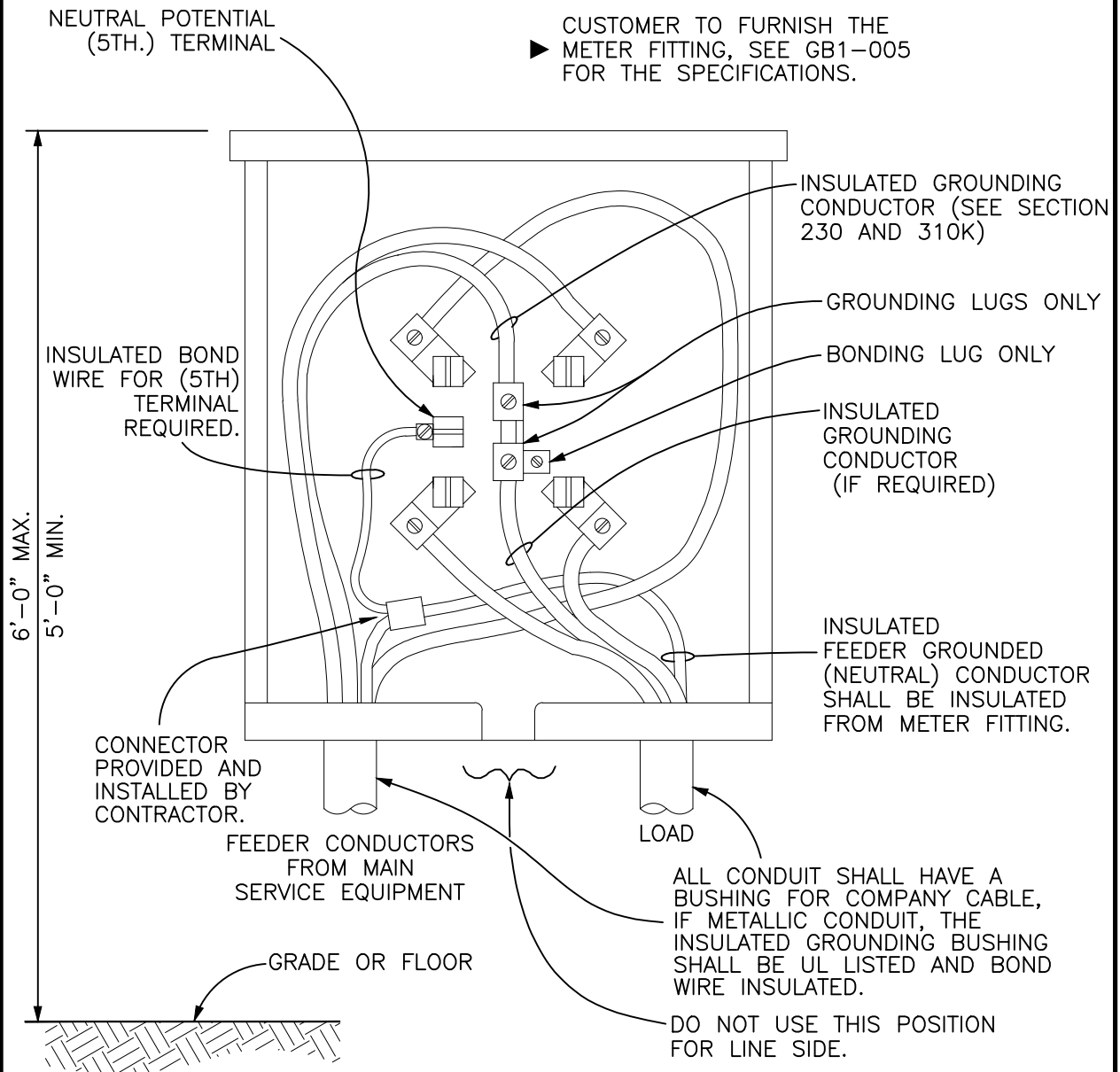
CUSTOMER TO FURNISH THE
METER FITTING, SEE GB1-005
FOR THE SPECIFICATIONS.



NOTES:

1. MINIMUM 2-1/2" RIGID METALLIC CONDUIT OR GRAY SCHEDULE 80 PVC INSTALLED BY CONTRACTOR.
- ▶ 2. LINE CONDUIT SHALL HAVE A BUSHING FOR COMPANY CABLE, IF METALLIC CONDUIT, THE INSULATED GROUNDING BUSHING SHALL BE U.L. LISTED AND BOND WIRE INSULATED.
3. LINE AND LOAD CONDUITS MAY BE REVERSED TO SUIT CONDITIONS.

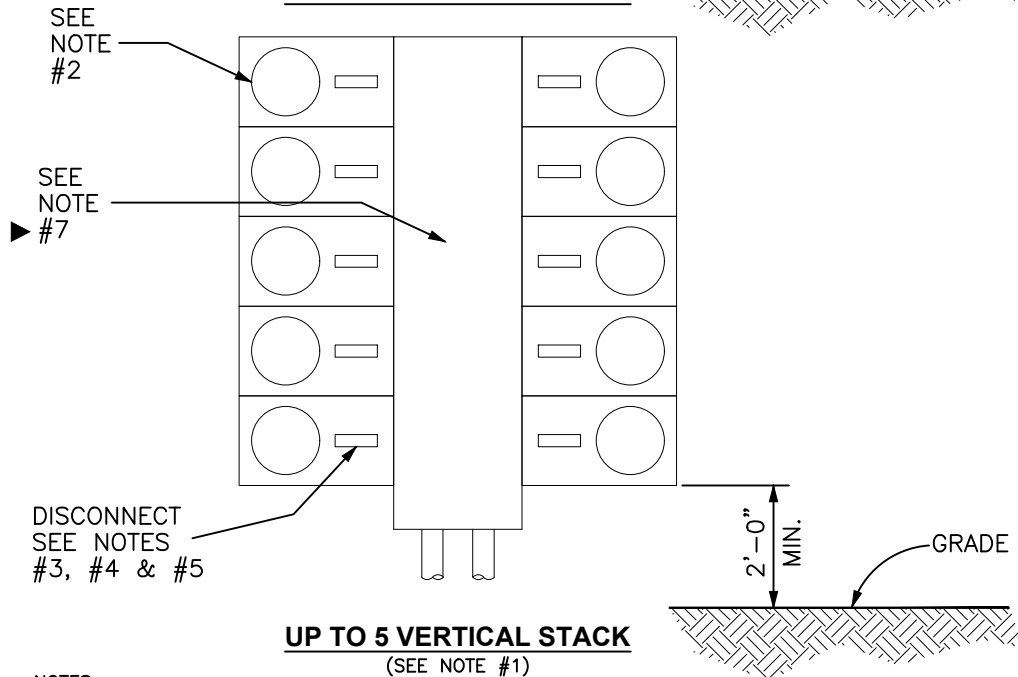
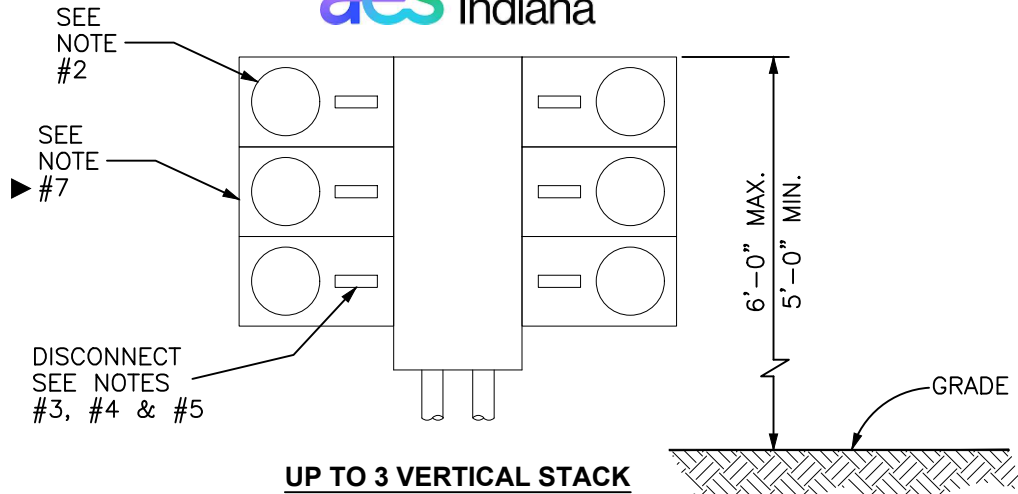
**200A SINGLE PHASE RESIDENTIAL SERVICES
AND 125A SINGLE PHASE COMMERCIAL SERVICES
UNDERGROUND INSTALLATION
120/208 VOLT, 1 PHASE, 3 WIRE
200A MAXIMUM SERVICE**



NOTES:

LINE AND LOAD CONDUITS MAY BE REVERSED TO SUIT CONDITIONS.

**200A METER FITTING
 INSTALLED AFTER MAIN SERVICE EQUIPMENT
 120/208 VOLT, 1 PHASE, 3 WIRE
 200A MAXIMUM SERVICE**



NOTES:

1. 5 VERTICAL STACK METER CENTER IS PERMITTED ONLY IF APPROVED BY THE METERING DEPARTMENT.
2. IF FED FROM 120/208 VOLTS, A 5TH JAW SHALL BE INSTALLED IN THE 9:00 POSITION.
3. IF OUTSIDE THE DOWNTOWN UNDERGROUND NETWORK, EACH POSITION SHALL BE IN HOT SEQUENCE.
4. IF SERVED FROM THE DOWNTOWN UNDERGROUND NETWORK, EACH POSITION SHALL BE IN COLD SEQUENCE.
5. SEE SECTION 550A FOR THE DEFINITION OF HOT AND COLD SEQUENCE.
- ▶ 6. EACH POSITION SHALL BE PERMANENTLY IDENTIFIED.
- ▶ 7. 7 DISCONNECTING MEANS OR MORE SHALL HAVE A MAIN DISCONNECTING MEANS ON THE LINE SIDE OF THE METER CENTER.
- ▶ 8. EACH METER CENTER SHALL COMPLY WITH SECTION 515.

**100A & 200A METER CENTER
UNDERGROUND INSTALLATION
120/240 VOLT, 1 PHASE, 3 WIRE
225A MAXIMUM PER POSITION
120/208 VOLT, 1 PHASE, 3 WIRE
200A MAXIMUM PER POSITION RESIDENTIAL
100A MAXIMUM PER POSITION COMMERCIAL**